

# 2020 CIF State Championship Wrestling Tournament



## Placers

106 Lbs.		
1st	GONZALES, ANDRE (11) SD-1 #1	Poway (SD) 4-2
2nd	LOPEZ, RAYMOND (11) CS-1 #2	Buchanan (CS)
3rd	MANTANONA, BEAU (9) SS-1 #4	Palm Desert (SS) 14-4
4th	MENDEZ, DOMINIC (10) CS-2 #6	Righetti (CS)
5th	PERRYMAN, ETHAN (10) SS-2 #7	Temecula Valley (SS) DEF-
6th	MOORE, CLARENCE (9) CC-1 #11	Gilroy (CC)
7th	TORRES, MICHAEL (10) SJ-1 #3	Oakdale (SJ) 3-2
8th	MEDINA, ISAAH (10) SJ-2 #5	Vacaville (SJ)

113 Lbs.		
1st	FIGUEROA, RICHARD (11) CS-1 #1	Selma (CS) 5-3
2nd	CRUZ, JOEY (10) CS-2 #2	Clovis North (CS)
3rd	ROMNEY, ZETH (10) SS-1 #4	Chaminade (SS) 9-7
4th	GIOFFRE, JACK (10) CS-3 #3	Buchanan (CS)
5th	LEMUS, DARIO (9) CS-4 #5	Clovis (CS) 10-8
6th	ABELL, BRAYDEN (11) SJ-1 #7	Oakdale (SS)
7th	BOBZIEN, BROCK (10) SD-1 #6	Poway (SD) F-2:17
8th	ORTIZ, LUIS (11) SS-2 #9	Calvary Chapel (SS)

120 Lbs.		
1st	LUJAN, TRISTAN (12) CS-2 #2	Selma (CS) 7-1
2nd	MALDONADO, LAZ (12) CS-4 #8	Clovis West (CS)
3rd	MARTINEZ, MAXXIMUS (9) SS-1 #3	St. John Bosco (SS) 7-1
4th	ROSAS, GEORGE (10) CS-3 #6	Clovis (CS)
5th	BAILEY, CARTER (11) NC-1 #5	Granada (NC) 3-0
6th	BARRETO, FERNANDO (10) SS-3 #10	Rowland (SS)
7th	ROBERTS, CASEY (9) SJ-5	Vacaville (SJ) 6-5
8th	LOPEZ, JOHNNY (10) SD-1 #12	Poway (SD)

126 Lbs.		
1st	RENTERIA, MAXIMO (11) CS-1 #1	Buchanan (CS) 12-3
2nd	ELLIOTT, DAMON (10) SJ-1 #6	Del Oro (SJ)
3rd	LEIA, KIMO (10) CS-3 #7	Selma (CS) 5-4
4th	MIRANDA, JASON (12) SD-1 #2	Poway (SD)
5th	LEVINE, TIMOTHY (12) SS-1 #4	St. John Bosco (SS) 9-1
6th	CHAVEZ, ADRIAN (12) CS-6	Central (CS)
7th	WATTS, RYAN (11) CS-5 #9	Clovis North (CS) 4-3
8th	MOURITSEN, JUSTIN (12) CS-4 #8	Clovis (CS)

132 Lbs.		
1st	NAGAO, AARON (12) SS-2 #1	Esperanza (SS) 8-2
2nd	LEAKE, HUNTER (12) CS-1 #2	Buchanan (CS)
3rd	RUIZ, NICCO (9) SS-1 #4	St. John Bosco (SS) 1-0
4th	MURPHY, DEVIN (12) CS-4 #8	Selma (CS)
5th	FRANCO, RYAN (11) CS-2 #3	Clovis North (CS) 10-2
6th	SPANGLER, RYAN (12) SS-6 #5	Sultana (SS)
7th	HAYES, COLLIN (12) SS-3 #10	Northview (SS) DEF-
8th	HERAS, ADRIAN (12) SJ-1 #6	Turlock (SJ)

138 Lbs.		
1st	RAMIREZ, ALEX (11) SS-1 #1	Rowland (SS) 4-1
2nd	SALAS, ISSAC (11) SS-2 #2	St. John Bosco (SS)
3rd	PORTER, HENRY (11) CC-1 #3	Gilroy (CC) 5-4
4th	LAKE, KYLER (10) CS-1 #5	Buchanan (CS)
5th	WATTS, ZACH (12) CS-5 #13	Clovis North (CS) DEF-
6th	MEDINA, JOSHUA (12) SS-3 #4	Servite (SS)
7th	VIVEROS, JOHNATHON (11) CS-2 #6	Kingsburg (CS) 6-3
8th	RODRIGUEZ, MATT (10) CS-4 #9	Righetti (CS)

145 Lbs.		
1st	VASQUEZ, JESSE (12) SS-1 #1	Excelsior Charter (SS) 10-3
2nd	LE, JADEN (12) SD-2 #3	Rancho Bernardo (SD)
3rd	GANDARA, AARON (12) SD-1 #2	Poway (SD) 3-0
4th	GIOFFRE, LOGAN (12) CS-1 #5	Buchanan (CS)
5th	BLAKE, ELI (12) SJ-2 #7	Del Oro (SJ) 4-0
6th	GAYER, LUKE (10) SS-3 #4	Calvary Chapel (SS)
7th	GARZA, CEASAR (10) SJ-1 #6	Oakdale (SJ) 3-2
8th	ARANDA, OSCAR (10) SS-4 #8	St. John Bosco (SS)

152 Lbs.			
1	1st	SALDATE, CHASE (12) CC-1 #1	Gilroy (CC) F-1:58
2	2nd	BADGETT, TYLER (12) SD-1 #3	Rancho Bernardo (SD)
4	3rd	SANTIAGO, SONNY (12) SS-1 #2	St. John Bosco (SS) 9-3
6	4th	RAIZ, REYMUENDO (12) CS-1 #5	Buchanan (CS)
7	5th	CAMPOS, JED (11) SJ-1 #9	Del Oro (SJ) 3-2
11	6th	CORTEZ, NOAH (12) CS-2 #6	Dinuba (CS)
3	7th	BORBA, SETH (11) SJ-2 #10	Oakdale (SJ) 7-1
5	8th	MONTEIRO, TYE (9) CS-5	Garces (CS)

160 Lbs.			
1	1st	SPARKS, ANDREW (12) SS-2 #2	Calvary Chapel (SS) 7-1
2	2nd	VALENCIA, CAEL (11) SS-1 #1	St. John Bosco (SS)
4	3rd	CONTINO, ROCCO (11) CS-1 #4	Buchanan (CS) 5-1
3	4th	LAROSA, KENDALL (12) SJ-1 #5	Pitman (SJ)
5	5th	WILNER, MAX (11) SS-6 #3	Fountain Valley (SS) 5-2
7	6th	SILVA, TRENT (12) NC-1 #6	Windsor (NC)
6	7th	KHAN, HASSAN (12) SJ-2 #10	Franklin-EG (SJ) 5-4
9	8th	KLOSTER, WILL (12) CS-2 #8	Lemoore (CS)

170 Lbs.			
2	1st	PETRUCCELLI, GIANO (12) CS-1 #1	Clovis (CS) 4-2
8	2nd	MARTIN, JOSEPH (10) CS-2 #2	Buchanan (CS)
3	3rd	STINSON, JT (12) NS-1 #3	East Nicolaus (NS) 3-2
6	4th	HERNANDEZ, ALEX (12) SD-1 #5	Poway (SD)
5	5th	BUCK, VALOR (12) SS-1 #6	Servite (SS) 3-1
10	6th	PRIEST, JARAD (12) CS-3 #4	Bakersfield (CS)
7	7th	MYLES, SEAN (11) SJ-2 #12	Oakmont (SJ) 5-0
12	8th	SMELSER, BRADEN (12) SS-2 #9	Valencia/V (SS)

182 Lbs.			
1	1st	HAAS, NATHAN (12) SS-1 #1	St. John Bosco (SS) 4-3
6	2nd	CURTIS, JOE (12) SD-1 #2	La Costa Canyon (SD)
7	3rd	JOVERO, JAVEN (11) SD-2 #3	Rancho Bernardo (SD) 3-2
2	4th	STEPHENS, KODIAK (12) SJ-1 #6	Bret Harte (SJ)
4	5th	MARTIN, JADON (12) CS-2 #5	Buchanan (CS) F-2:56
6	6th	GARCIA JR, JOAQUIN (12) SS-3 #8	Villa Park (SS)
9	7th	AVILA, TYLER (12) CS-1 #4	Porterville (CS) 3-2
8	8th	RAWLS, CARSTEN (11) CC-2 #10	St. Francis (CC)

195 Lbs.			
1	1st	ESCOBEDO, GUILLERMO (12) SS-1 #1	Los Altos (SS) 3-2
2	2nd	GIANAKOPOULOS, TYLER (12) CS-1 #2	Clovis (CS)
4	3rd	WILSON, TRISTEN (12) SS-2 #3	Servite (SS) DEF-
8	4th	RODRIGUEZ, FELIPE (12) CS-2 #4	Clovis West (CS)
3	5th	HARKEY, JOSH (12) SS-4 #5	Dana Hills (SS) 3-2
5	6th	TINKER, TREVOR (12) SS-3 #7	Northview (SS)
10	7th	GIANGREGORIO, DONIVAN (11) SJ-1 #6	Calaveras (SJ) 3-2
6	8th	GARCIA, RUDY (12) CS-4 #11	Selma (CS)

220 Lbs.			
1	1st	LEON, BRANDON (12) SS-1 #3	Roosevelt (SS) 9-4
2	2nd	CHRISTENSEN, JACOB (12) NS-1 #1	Durham (NS)
3	3rd	MING, PETER (12) SJ-1 #2	Elk Grove (SJ) 6-4
5	4th	CARRANZA, GABRIEL (12) SS-2 #5	Victor Valley (SS)
13	5th	MORA, JUAN (11) SJ-2 #6	Pitman (SJ) 3-2
4	6th	DARTER, JUSTIN (11) CS-6 #4	Bakersfield (CS)
6	7th	MORALES, MATEO (12) CS-1 #7	Clovis West (CS) 7-2
9	8th	BROOKS, ZACH (11) SJ-3 #9	Davis (SJ)

285 Lbs.			
1	1st	HILL, JOSIAH (12) CS-1 #1	Bakersfield (CS) F-2:38
3	2nd	VILLARREAL, NICHOLAS (12) CC-1 #2	Gilroy (CC)
2	3rd	LYLES, MALACHI (12) SS-1 #4	Mayfair (SS) 5-3
5	4th	COOK, LUCAS (12) SJ-2 #5	Lincoln-L (SJ)
7	5th	ISLAND, CHRIS (12) SJ-1 #3	Vacaville (SJ) 4-3
4	6th	SCHMIDTKE, JONAH (12) CS-4 #10	Clovis East (CS)
6	7th	OJEDA, ARTURO (12) SS-2 #9	San Jacinto (SS) F-1:40
8	8th	CAMPBELL, KADE (11) CS-3 #8	Buchanan (CS)

Rk	Team Score - Final	F	SP	SC
1	1 Buchanan (CS)	4	11	261.0
3	2 St. John Bosco (SS)	3	8	183.5
2	3 Poway (SD)	1	6	182.5
5	4 Clovis (CS)	2	5	159.0
9	5 Selma (CS)	2	5	131.0
6	6 Clovis North (CS)	1	4	129.0
10	7 Gilroy (CC)	2	4	127.0
8	8 Bakersfield (CS)	1	3	99.5
9	9 Rancho Bernardo (SD)	2	3	89.0
2	10 Servite (SS)	0	3	77.0
1	11 Del Oro (SJ)	1	3	67.0
4	12 Calvary Chapel (SS)	1	3	66.5
5	13 Clovis West (CS)	1	3	61.5
3	14 Oakdale (SJ)	0	4	57.5
6	15 Vacaville (SJ)	0	3	57.0
10	16 Pitman (SJ)	0	2	49.0
8	17 Palm Desert (SS)	0	1	47.5
9	18 Rowland (SS)	1	2	47.5
1	19 Roosevelt (SS)	1	1	45.0
2	20 Fountain Valley (SS)	0	1	44.5
3	21 Frontier (CS)	0	0	44.0
5	22 Northview (SS)	0	2	43.0
6	23 Esperanza (SS)	1	1	39.0
4	24 Temecula Valley (SS)	0	1	38.5
12	25 Righetti (CS)	0	2	33.0
9	26 Sultana (SS)	0	1	32.0
27	27 La Costa Canyon (SD)	1	1	31.0
1	28 Los Altos (SS)	1	1	30.5
2	29 Excelsior Charter (SS)	1	1	30.0
3	30 Elk Grove (SJ)	0	1	29.0
6	31 Durham (NS)	1	1	28.0
5	32 Central (CS)	0	1	27.5
8	33 Evergreen Valley (CC)	0	0	27.5
4	34 De La Salle (NC)	0	0	24.0
10	35 Lincoln-L (SJ)	0	1	24.0
36	36 Windsor (NC)	0	1	23.0
1	37 Valencia/V (SS)	0	1	22.5
2	38 Granada (NC)	0	1	22.0
3	39 Mayfair (SS)	0	1	22.0
4	40 Bret Harte (SJ)	0	1	22.0
5	41 Chaminade (SS)	0	1	21.5
7	42 Villa Park (SS)	0	1	21.0
6	43 Imperial (SD)	0	0	20.0
11	44 Dinuba (CS)	0	1	20.0
45	45 Victor Valley (SS)	0	1	20.0
3	46 Palo Alto (CC)	0	0	18.5
1	47 San Marino (SS)	0	0	18.0
2	48 Clovis East (CS)	0	1	18.0
5	49 East Nicolaus (NS)	0	1	17.5
6	50 Bella Vista (SJ)	0	0	17.0
4	51 Lemoore (CS)	0	1	17.0
7	52 Turlock (SJ)	0	1	17.0
9	53 St. Francis (CC)	0	1	17.0
10	54 San Jacinto (SS)	0	1	17.0
1	55 Chaparral (SS)	0	0	16.0
2	56 Garces (CS)	0	1	16.0
4	57 Birmingham (LA)	0	0	15.0
5	58 Mission Viejo (SS)	0	0	15.0
3	59 Porterville (CS)	0	1	15.0
10	60 Calaveras (SJ)	0	1	15.0
8	270 TEAMS COMPETED			

# 2020 CIF State Championship

Weight Class : **106 Lbs.**



GONZALEZ, NATE (10) CS-4 #16		Selma (CS) <b>113</b> GONZALEZ SEL	
LUDWIG, HUNTER (9) NS-2		F 3:03 6.0	
Sutter (NS)		<b>449</b>	
RAMIREZ, MARK (9) CC-3		Fremont (CC) <b>114</b> GONZALEZ POW	
NGUYEN, ETHAN (10) SS-8		GONZALES POW	
Diamond Ranch (SS) <b>1</b>		F 2:42 4.0	
GONZALES, ANDRE (11) SD-1 #1		F 1:02 4.0	
Poway (SD)		TERRENCE, MATTHEW (10) CS-3 #8	
		Clovis (CS) <b>115</b> TERRENCE CLO	
		WARD, ETHAN (9) SJ-3	
		F 5 0 4.0	
		Turlock (SJ)	
		<b>450</b>	
WOODS, RYAN (9) LA-1		HARTON, HOWARD (11) CS-8	
Palisades (LA) <b>2</b>		Kerman (CS) <b>116</b> SANCHEZ SMI	
SANCHEZ, ROMERO (10) SS-3 #9		SANCHEZ SMI	
San Marino (SS)		F 15 4 3.0	
		8 0 3.0	
		MEDINA, ISAAH (10) SJ-2 #5	
		Vacaville (SJ) <b>117</b> MEDINA VAC	
		REYES, JIMMY (11) CS-5	
		F 4:46 6.0	
		Hanford (CS)	
		<b>451</b>	
		HUH, MICHAEL (11) CC-2	
		Westmont (CC) <b>118</b> CUEVAS DLS	
CARRANZA, ARTIE (10) SS-9		CUEVAS DLS	
Arlington (SS) <b>3</b>		F 5:46 4.0	
CUEVAS, BOBBY (10) NC-1 #12		6 4 2.0	
De La Salle (NC)		GALBISO, NATHAN (11) SD-2 #13	
		Imperial (SD) <b>119</b> GALBISO IMP	
		GALICIA, NATHAN (9) CS-7	
		F 13 7 4.0	
		Madera (CS)	
		<b>452</b>	
		NGUYEN, JONATHAN (11) SJ-6	
DELATORRE, ELIJAH (9) CS-9		Tokay (SJ) <b>120</b> MANTANONA PD	
Pioneer Valley (CS) <b>4</b>		MANTANONA PD	
MANTANONA, BEAU (9) SS-1 #4		F :20 4.0	
Palm Desert (SS)		<b>106 Lbs.</b>	
		TORRES, MICHAEL (10) SJ-1 #3	
		Oakdale (SJ) <b>121</b> TORRES OKD	
		MCDONALD, DYLAN (10) CS-6	
		F 4:30 6.0	
		Lemoore (CS)	
		<b>453</b>	
		ROBINSON, LOGAN (10) SD-3	
CHIANG, JUSTIN (11) SF-1		Steele Canyon (SD) <b>122</b> LEDEZMA ROO	
Lowell (SF) <b>5</b>		LEDEZMA ROO	
LEDEZMA, ADRIAN (12) SS-5 #14		F 1:13 4.0	
Roosevelt (SS)		MENDEZ, DOMINIC (10) CS-2 #6	
		Righetti (CS) <b>123</b> MENDEZ RIG	
		LOPEZ, NATHAN (12) SS-6	
		F 17 3 5.0	
		Hillcrest (SS)	
		<b>454</b>	
		TRAVE, NICK (11) NC-2	
CANDRAY, MATTHEW (11) CS-T		Petalinga (NC) <b>124</b> MOORE GIL	
Washington Union (CS) <b>6</b>		MOORE GIL	
MOORE, CLARENCE (9) CC-1 #11		F 4:14 4.0	
Gilroy (CC)		PERRYMAN, ETHAN (10) SS-2 #7	
		Temecula Valley (SS) <b>125</b> PERRYMAN TV	
		SMITH, GAVIN (9) NS-1	
		TF 23-7 5.5	
		Chico (NS)	
		<b>455</b>	
		LOPEZ, KEVIN (10) SJ-4	
JONES, JACOB (9) SD-4		Elk Grove (SJ) <b>126</b> HENDRICKS CN-SS	
Rancho Bernardo (SD) <b>7</b>		HENDRICKS CN-SS	
HENDRICKS, ALLEN (10) SS-4 #10		F 4 0 2.0	
Centennial (SS)		PARK, CALEB (9) SS-7 #15	
		Calvary Chapel (SS) <b>127</b> PARK CCH	
		FREDRICKSON, JONATHAN (11) NC-	
		F 4 1 4.0	
		Windsor (NC)	
		<b>456</b>	
		HENG, DAVE (9) OS-1	
BAUTISTA, JULIO (12) SJ-5		Skyline (OS) <b>128</b> LOPEZ BUC	
Folsom (SJ) <b>8</b>		LOPEZ BUC	
LOPEZ, RAYMOND (11) CS-1 #2		F 3:28 4.0	
Buchanan (CS)			

GONZALES POW SD1		14 7 2.0 <sup>1</sup>	
<b>785</b>		GONZALES POW SD1	
		6 1 5.0 <sup>1</sup>	
TERRENCE CLO CS3		F :57 4.0 <sup>8</sup>	
<b>953</b>		GONZALES POW	
		3 2 11.0	
<b>786</b>		MEDINA VAC SJ2	
		F 1:55 4.0 <sup>5</sup>	
MANTANONA PD SS1		F 7 3 5.0 <sup>4</sup>	
<b>787</b>		MANTANONA PD SS1	
		F :50 4.0 <sup>4</sup>	
<b>788</b>		TORRES OKD SJ1	
		F :59 4.0 <sup>3</sup>	
<b>789</b>		MENDEZ RIG CS2	
		3 2 5.0 <sup>6</sup>	
<b>954</b>		LOPEZ BUC	
		1 0 11.0	
<b>841</b>		GALBISO IMP SD2	
		4 3 1.0	
<b>842</b>		PERRYMAN TV SS2	
		F 1:27 4.0	
<b>843</b>		PERRYMAN TV	
		8 5 3.0	
<b>844</b>		SANCHEZ SMI SS3	
		9 1 2.0	
<b>845</b>		TORRES OKD SJ1	
		5 0 2.0	
<b>846</b>		MANTANONA PD	
		F 1:59 7.0	
<b>847</b>		PARK CCH SS7	
		3 0 1.0	
<b>848</b>		MEDINA VAC SJ2	
		F 1:53 4.0	
<b>849</b>		MOORE GIL	
		8 6 3.0	
<b>850</b>		MOORE GIL CC1	
		F 4:09 3.0	
<b>851</b>		MOORE GIL CC1	
		F 4:03 4.0	
<b>852</b>		TERRENCE CLO CS3	
		F :23 3.0	
<b>853</b>		TORRES OKD	
		7th 7.0	
<b>854</b>		PERRYMAN TV	
		5th 5.0	
<b>855</b>		TORRES OKD	
		3 2 1.0	
<b>856</b>		MOORE GIL	
		DEF 4.0	
<b>857</b>		MANTANONA PD	
		14 4 3.0	
<b>858</b>		MANTANONA PD	
		3rd 3.0	
<b>859</b>		MOORE GIL	
		8 6 3.0	
<b>860</b>		MENDEZ RIG	
		7 6 5.0	

<b>GONZALES, ANDRE (11) SD-1 #1</b>			
Poway (SD)			
St Rnk	1	St '19	CA (106)

<b>LOPEZ, RAYMOND (11) CS-1 #2</b>			
Buchanan (CS)			
St Rnk	2	St '19	

- 1st GONZALES, ANDRE (11) SD-1 #1 Poway (SD)
- 2nd LOPEZ, RAYMOND (11) CS-1 #2 Buchanan (CS)
- 3rd MANTANONA, BEAU (9) SS-1 #4 Palm Desert (SS)
- 4th MENDEZ, DOMINIC (10) CS-2 #6 Righetti (CS)
- 5th PERRYMAN, ETHAN (10) SS-2 #7 Temecula Valley (SS)
- 6th MOORE, CLARENCE (9) CC-1 #11 Gilroy (CC)
- 7th TORRES, MICHAEL (10) SJ-1 #3 Oakdale (SJ)
- 8th MEDINA, ISAAH (10) SJ-2 #5 Vacaville (SJ)



NGUYEN DR		NGUYEN DR	
MCDONALD LEM		ROBINSON SCN	
337		F 1:23 3.0	
WOODS PLS		GALBISO IMP	
561		4 1 1.0	
LOPEZ HCR		TRAVE PET	
338		F 1:47 3.0	
CARRANZA ARL		CUEVAS DLS	
562		5 3 1.0	
SMITH CHC		CARRANZA ARL	
339		F :40 3.0	
DELATORRE PIV		SANCHEZ SMI	
563		14 4 2.0	
FREDRICKSON WIN		FREDRICKSON WIN	
340		F 3:34 3.0	
CHIANG LOW		GONZALEZ SEL	
564		6 2 1.0	
LUDWIG SUT		RAMIREZ FR-CC	
341		F 2:34 3.0	
CANDRAY WU		PARK CCH	
565		F 1:37 3.0	
WARD TUR		WARD TUR	
342		F 11 0 2.0	
JONES RBE		HENDRICKS CN-SS	
566		F 2:56 3.0	
REYES HAN		JONES RBE	
343		F 7 2 1.0	
BAUTISTA FOL		MOORE GIL	
567		F 4:40 3.0	
GALICIA MAD		BAUTISTA FOL	
344		F 10 4 1.0	
		NGUYEN TOK	
		8 2 1.0	
		LEDEZMA ROO	
		F :23 3.0	
		568	
		LEDEZMA ROO	
		F :23 3.0	
		<b>680</b>	

TORRES OKD		7th 7.0	
<b>1039</b>		PERRYMAN TV	
		5th 5.0	
MEDINA VAC		TORRES OKD	
		3 2 1.0	
		MOORE GIL	
		DEF 4.0	



# 2020 CIF State Championship

Weight Class : **113 Lbs.**



FIGUEROA, RICHARD (11) CS-1 #1 Selma (CS) <b>129</b>	FIGUEROA	SEL	
SUBIAS, ALEXANDER (11) SS-7 Orange Lutheran (SS)	TF 16-0	5.5	
EUSEBIO, BRANDON (9) SD-2 Rancho Bernardo (SD) <b>130</b>	EUSEBIO	RBE	
JARADIE, OUT (9) SF-1 SFI (SF) <b>9</b>	ANTONIO	EV	7 1 4.0
ANTONIO, CALVIN (11) CC-3 #16 Evergreen Valley (CC)	DEF	4.0	
ORTIZ, LUIS (11) SS-2 #9 Calvary Chapel (SS) <b>131</b>	ORTIZ	CCH	
DIAZ, ANDREW (10) CS-8 Bakersfield (CS)	12 2	5.0	
RUNGE, JAKE (9) OS-1 Skyline (OS) <b>132</b>	THOMPSON	PAL	
VALLEDOR, LOGAN (10) SJ-3 Vacaville (SJ) <b>10</b>	THOMPSON	PAL	F 1:54 4.0
THOMPSON, ZAK (10) CC-1 #8 Palma (CC)	6 4	2.0	
LEMUS, DARIO (9) CS-4 #5 Clovis (CS) <b>133</b>	LEMUS	CLO	
SANCHEZ, JOSE (12) NC-1 Maria Carrillo (NC)	F 1:02	6.0	
PLASENCIA, JESUS (12) SD-3 Eastlake (SD) <b>134</b>	SOLIS	FV	F :31 4.0
MALLOT, MICHAEL (12) SJ-6 Union Mine (SJ) <b>11</b>	SOLIS	FV	8 3 2.0
SOLIS, SEAN (10) SS-5 #12 Fountain Valley (SS)	ROMNEY, ZETH (10) SS-1 #4 Chaminade (SS) <b>135</b>	ROMNEY	CHM
CERDA, ABRAHAM (10) CS-5 Hoover (CS)	F 5:49	6.0	
GARCIA, JONATHAN (10) NS-2 Orland (NS) <b>136</b>	LOBATO	CHP	
LOBATO, RYAN (9) SS-9 Chaparral (SS) <b>12</b>	LOBATO	CHP	7 6 2.0
FARUKH, SALAH DIN (11) SJ-2 #13 Valley (SJ)	F 3:32	4.0	
GIOFFRE, JACK (10) CS-3 #3 Buchanan (CS) <b>137</b>	GIOFFRE	BUC	
NIIMI, TALON (10) SJ-4 Granite Bay (SJ)	F 4:49	6.0	
RAMOS, JADEN (12) NC-2 Redwood (NC) <b>138</b>	PAGADUAN	YUC	
RUDKIN, DAVID (9) NS-1 Chico (NS) <b>13</b>	PAGADUAN	YUC	6 0 2.0
PAGADUAN, TRENTON (11) SS-6 #14 Yucaipa (SS)	TF 15-0	3.5	
BOBZIEN, BROCK (10) SD-1 #6 Poway (SD) <b>139</b>	BOBZIEN	POW	
WHITTINGTON, WANDERLEI (9) CS-1 Monache (CS)	F 1:05	6.0	
ACALA, JOSH (12) CS-6 Frontier (CS) <b>140</b>	ACALA	FRO	
COTA, JESSE (10) SJ-5 Patterson (SJ) <b>14</b>	AVEDISSIAN	TV	4 2 4.0
AVEDISSIAN, DEVIN (10) SS-4 #11 Temecula Valley (SS)	4 0	2.0	
ABELL, BRAYDEN (11) SJ-1 #7 Oakdale (SJ) <b>141</b>	ABELL	OKD	
RAMOS, ZACHARY (12) SD-4 Olympian (SD)	F 3:41	6.0	
CALDERON, ALEX (12) CS-9 Redwood (CS) <b>142</b>	RODRIGUEZ	PD	
ONSUREZ, ASHTON (11) CS-7 Centennial (CS) <b>15</b>	RODRIGUEZ	PD	TF 16-0 3.5
RODRIGUEZ, JUSTIN (10) SS-3 #10 Palm Desert (SS)	F :44	4.0	
CRUZ, JOEY (10) CS-2 #2 Clovis North (CS) <b>143</b>	CRUZ	CN	
FEIZI, ATRI (9) NC-3 De La Salle (NC)	TF 22-7	5.5	
NGUYEN, TASH (10) LA-1 Birmingham (LA) <b>144</b>	FUKUNAGA	WOO	
FUKUNAGA, ENZO (10) SS-8 Woodbridge (SS) <b>16</b>	FUKUNAGA	WOO	TF 16-1 3.5
FIERRO, ZACH (9) CC-2 #15 Gilroy (CC)	8 2	2.0	

**113 Lbs.**

FIGUEROA	SEL	CS1	
F 1:53	4.0	1	
<b>789</b>	FIGUEROA	SEL	CS1
TF 15-0	6.5	1	
ORTIZ	CCH	SS2	
5 1	2.0	9	
<b>955</b>	FIGUEROA	SEL	
11 1	12.0		
<b>790</b>	ROMNEY	CHM	SS1
14 7	5.0	4	
ROMNEY	CHM	SS1	
TF 17-2	3.5	4	
<b>1080</b>	FIGUEROA	SEL	
5 3	4.0		
	1st		
<b>791</b>	GIOFFRE	BUC	CS3
F 1:02	4.0	3	
GIOFFRE	BUC	CS3	
3 1	5.0	3	
<b>956</b>	CRUZ	CN	
5 3	11.0		
<b>792</b>	CRUZ	CN	CS2
23 12	6.0	2	
CRUZ	CN	CS2	
F 4:28	4.0	2	
<b>1040</b>	ROMNEY	CHM	
9 7	2.0		
	3rd		
<b>901</b>	ABELL	OKD	SJ1
TF 16-1	3.5		
ABELL	OKD	SJ1	
6 3	3.0		
<b>983</b>	ABELL	OKD	
6 3	3.0		
<b>1011</b>	ROMNEY	CHM	
4 1	5.0		
<b>902</b>	BOBZIEN	POW	SD1
5 4	2.0		
BOBZIEN	POW	SD1	
ROMNEY	CHM		
<b>903</b>	LEMUS	CLO	CS4
8 4	2.0		
LEMUS	CLO	CS4	
<b>984</b>	LEMUS	CLO	
F 4:18	5.0		
<b>1012</b>	GIOFFRE	BUC	
F 2:55	7.0		
<b>904</b>	ORTIZ	CCH	SS2
F 1:45	4.0		
ORTIZ	CCH	SS2	
GIOFFRE	BUC		
<b>1042</b>	BOBZIEN	POW	
F 2:17	3.0		
BOBZIEN	POW		
<b>1041</b>	LEMUS	CLO	
10 8	2.0		
LEMUS	CLO		

<b>FIGUEROA, RICHARD (11) CS-1 #1</b>			
<b>Selma (CS)</b>			
St Rnk	1	St '19	(106); 2-timer

<b>CRUZ, JOEY (10) CS-2 #2</b>			
<b>Clovis North (CS)</b>			
St Rnk	2	St '19	CA (120)

- 1st FIGUEROA, RICHARD (11) CS-1 #1 Selma (CS)
- 2nd CRUZ, JOEY (10) CS-2 #2 Clovis North (CS)
- 3rd ROMNEY, ZETH (10) SS-1 #4 Chaminade (SS)
- 4th GIOFFRE, JACK (10) CS-3 #3 Buchanan (CS)
- 5th LEMUS, DARIO (9) CS-4 #5 Clovis (CS)
- 6th ABELL, BRAYDEN (11) SJ-1 #7 Oakdale (SJ)
- 7th BOBZIEN, BROCK (10) SD-1 #6 Poway (SD)
- 8th ORTIZ, LUIS (11) SS-2 #9 Calvary Chapel (SS)



JARADIE	SFI	NIIMI	GB	NIIMI	GB	LOBATO	CHP
345	DEF	3.0	6 3	1.0	6 3	1.0	
VALLEDOR	VAC	RAMOS	RW-NC	LOBATO	CHP		
WHITTINGTON	MON	WHITTINGTON	MON	681		845	
346	10 2	2.0	2 0	1.0	3 2	1.0	
MALLOT	UM	AVEDISSIAN	TV	AVEDISSIAN	TV		
RAMOS	OLY	570	SOLIS	FV			
RAMOS	OLY	RAMOS	OLY	682			
347	5 0	1.0	15	2.0	THOMPSON	PAL	
FARUKH	VLY	CALDERON	RW-CS	THOMPSON	PAL		
FEIZI	DLS	571	THOMPSON	PAL	1 0	1.0	
348	3 1	1.0	FARUKH	VLY	846		
RUDKIN	CHC	3	1:36	3.0	EUSEBIO	RBE	
SUBIAS	OL	572	EUSEBIO	RBE	12 4	2.0	
349	7 4	1.0	SUBIAS	OL	684		
COTA	PAT	ANTONIO	EV	ANTONIO	EV		
DIAZ	BAK	573	FUKUNAGA	WOO	3 2	1.0	
350	12 4	2.0	COTA	PAT	685		
ONSUREZ	CN-CS	574	RUNGE	SKY	F :30	3.0	
SANCHEZ	MC	575	RODRIGUEZ	PD	F 3:42	3.0	
351	4:04	3.0	SANCHEZ	MC	686		
FIERRO	GIL	576	PLASENCIA	EAS	F 1:59	3.0	
CERDA	HOO	575	ACALA	FRO	F 2:45	3.0	
352	4 0	1.0	CERDA	HOO	687		
	GARCIA	ORL	6 0	1.0	CERDA	HOO	
	576		PAGADUAN	YUC	5 4	1.0	
			688				





# 2020 CIF State Championship

Weight Class : **126 Lbs.**



RENTERIA, MAXIMO (11) CS-1 #1		Buchanan (CS)	161	RENTERIA	BUC
BERNARDO, ANTHONY (11) NC-2		James Logan (NC)	473	F :24	6.0
PINEDA, RIEKER (12) NS-2		Chico (NS)	162	AVILA	CRT
MAPLES, TYLER (12) SJ-5	Bella Vista (SJ)	25	6	4	2.0
AVILA, BRYANT (10) SS-6 #16	Carter (SS)		15	5	3.0
MOURITSEN, JUSTIN (12) CS-4 #8		Clovis (CS)	163	MOURITSEN	CLO
NAVARRO, JOEY (10) SD-2		Brawley (SD)	474	F 2:54	6.0
REYHANI, MAHRAD (12) SS-4		Aliso Niguel (SS)	164	WATTS	CN
EDWARDS, CONNOR (12) NS-1	West Valley (NS)	26	11	2	3.0
WATTS, RYAN (11) CS-5 #9	Clovis North (CS)		GOMEZ, OUT (11) CC-2 #5		
GILROY (CC)		165	PRIM	GD	
PRIM, CARSON (11) SJ-6		Grace Davis (SJ)	475	DEF	6.0
CHAVEZ, ADRIAN (12) CS-6		Central (CS)	166	CHAVEZ	CEN
LEORA, CRISTIAN (11) LA-1	San Fernando (LA)	27	6	3	2.0
CISNEROS, JOSE (12) SS-3 #12	Sultana (SS)		LEVINE, TIMOTHY (12) SS-1 #4		
St. John Bosco (SS)		167	LEVINE	SJB	
IBARRA, AARON (11) CS-7		Righetti (CS)	476	TF 16-0	5.5
NGUYEN, ANDY (12) SD-3		Mira Mesa (SD)	168	BASHOR	OKD
CANALES, JACEN (12) SF-1	Lincoln (SF)	28	13	3	3.0
BASHOR, CLAYTON (11) SJ-3 #13	Oakdale (SJ)		ALMARINEZ, ERIC (10) SJ-4 #14		
Vacaville (SJ)		169	ALMARINEZ	VAC	
CARRILLO, ROMAN (12) SS-5		Paloma Valley (SS)	477	13	5
AHAMED, OUT (11) OS-1		Oakland Tech (OS)	170	JOINT	LEM
AIKMAN, CASEY (10) NC-3	Ukiah (NC)	29	17	5	3.0
JOINT, WAYNE (11) CS-2 #3	Lemoore (CS)		RUIZ, KOA (10) SS-2 #11		
San Marino (SS)		171	RUIZ	SMI	
NELSON, MATTHEW (11) SD-4		Vista (SD)	478	13	7
TOPETE, SANTINO (11) CC-3		Silver Creek (CC)	172	ELLIOTT	DO
FLOREZ, MARCO (11) CS-8	Exeter (CS)	30	16	7	3.0
ELLIOTT, DAMION (10) SJ-1 #6	Del Oro (SJ)		GIRON, OUT (12) SJ-2 #10		
Turlock (SJ)		173	ORNELAZ	NO	
ORNELAZ, ANTHONY (11) CS-T		North (CS)	479	DEF	6.0
KREY, ETHAN (11) SS-7		Yucaipa (SS)	174	LEIA	SEL
VICTORIA, JULIAN (11) NC-1	Dublin (NC)	31	15	9	2.0
LEIA, KIMO (10) CS-3 #7	Selma (CS)		ARENAS, ADAM (12) CC-1 #15		
Lincoln (CC)		175	SPEARS	BAK	
SPEARS, JACOB (12) CS-9		Bakersfield (CS)	480	4	3
SAUCEDO, PHILLIP (11) SS-9		Martin Luther King (SS)	176	MIRANDA	POW
QUINDOY, MARK (10) SS-8	Chaparral (SS)	32	1	40	4.0
MIRANDA, JASON (12) SD-1 #2	Poway (SD)		MIRANDA		

## 126 Lbs.

RENTERIA	BUC	CS1	TF 17-1	3.5	1
797	RENTERIA	BUC	F :52	7.0	1
MOURITSEN	CLO	CS4	8	3	2.0
8	3	2.0	8		
959	RENTERIA	BUC	F :52	13.0	
798	CHAVEZ	CEN	8	1	2.0
8	1	2.0	0		
798	LEVINE	SJB	12	2	6.0
12	2	6.0	4		
799	ELLIOTT	DO	3	2	5.0
3	2	5.0	6		
799	ELLIOTT	DO	7	3	2.0
7	3	2.0	6		
960	ELLIOTT	DO	7	3	11.0
7	3	11.0			
800	LEIA	SEL	F 4:46	4.0	7
F 4:46	4.0	7			
800	LEIA	SEL	4	2	5.0
4	2	5.0	7		
MIRANDA	POW	SD1	F 1:55	4.0	2
F 1:55	4.0	2			
987	MIRANDA	POW	F 1:42	4.0	
F 1:42	4.0				
987	MIRANDA	POW	6	5	3.0
6	5	3.0			
910	WATTS	CN	5	1	1.0
5	1	1.0			
910	WATTS	CN	F 2:38	4.0	
F 2:38	4.0				
911	REYHANI	AN	7	6	1.0
7	6	1.0			
911	CHAVEZ	CEN	8	1	2.0
8	1	2.0			
988	CHAVEZ	CEN	F 1:24	5.0	
F 1:24	5.0				
988	CHAVEZ	CEN	9	5	5.0
9	5	5.0			
912	RUIZ	SMI	F 2:27	3.0	
F 2:27	3.0				
912	MOURITSEN	CLO	5	3	2.0
5	3	2.0			
1016	LEIA	SEL	9	6	5.0
9	6	5.0			
1048	WATTS	CN	4	3	1.0
4	3	1.0			
1048	WATTS	CN	4	3	1.0
4	3	1.0			
1047	LEVINE	SJB	9	1	3.0
9	1	3.0			
1047	LEVINE	SJB	9	1	3.0
9	1	3.0			

RENTERIA, MAXIMO (11) CS-1 #1			
Buchanan (CS)			
St Rnk	1	St '19	(120); 2-timer

ELLIOTT, DAMION (10) SJ-1 #6			
Del Oro (SJ)			
St Rnk	6	St '19	

- 1st RENTERIA, MAXIMO (11) CS-1 #1 Buchanan (CS)
- 2nd ELLIOTT, DAMION (10) SJ-1 #6 Del Oro (SJ)
- 3rd LEIA, KIMO (10) CS-3 #7 Selma (CS)
- 4th MIRANDA, JASON (12) SD-1 #2 Poway (SD)
- 5th LEVINE, TIMOTHY (12) SS-1 #4 St. John Bosco (SS)
- 6th CHAVEZ, ADRIAN (12) CS-6 Central (CS)
- 7th WATTS, RYAN (11) CS-5 #9 Clovis North (CS)
- 8th MOURITSEN, JUSTIN (12) CS-4 #8 Clovis (CS)



MAPLES	BEV	MAPLES	BEV	7	2	1.0
CARRILLO	PVY	361	MAPLES	BEV	3.0	
EDWARDS	WV-NS	585	DEF	OKD	3.0	
NELSON	VIS	362	BASHOR	OKD	6	0
LEORA	SFR	586	6	0	1.0	
GIRON	TUR	363	EDWARDS	WV-NS	697	
CANALES	LN-SF	587	853	BASHOR	OKD	SJ3
ARENAS	LN-CC	364	4	2	1.0	
AIKMAN	UKI	588	909	MIRANDA	POW	SD1
BERNARDO	JL	365	F 1:42	4.0		
FLOREZ	EXT	589	MIRANDA	POW	SD1	
NAVARRO	BRW	366	987	MIRANDA	POW	
VICTORIA	DUB	590	6	5	3.0	
GOMEZ	GIL	367	910	WATTS	CN	CS5
QUINDOY	CHP	591	5	1	1.0	
IBARRA	RIG	368	910	WATTS	CN	CS5
			F 2:38	4.0		
			911	REYHANI	AN	SS4
			7	6	1.0	
			911	CHAVEZ	CEN	CS6
			8	1	2.0	
			988	CHAVEZ	CEN	CS6
			F 1:24	5.0		
			988	CHAVEZ	CEN	
			9	5	5.0	
			912	RUIZ	SMI	SS2
			F 2:27	3.0		
			912	MOURITSEN	CLO	CS4
			5	3	2.0	
			1016	LEIA	SEL	
			9	6	5.0	
			1048	WATTS	CN	
			4	3	1.0	
			1047	LEVINE	SJB	
			9	1	3.0	

# 2020 CIF State Championship

Weight Class : **132 Lbs.**



ORLANDO, JOSEPH (12) CC-1 #16 Bellarmine (CC) <b>177</b>	ORLANDO	BEL	
KILBER, PEYTON (10) CS-T Paso Robles (CS) <b>481</b>	F :49		6.0
RUEDA, EVERARDO (12) CS-7 Golden Valley (CS) <b>178</b>	NAGAO	ESP	
NAVARRO, JOSE (12) SJ-4 Pacheco (SJ) <b>33</b>	NAGAO	ESP	3.5
NAGAO, AARON (12) SS-2 #1 Esperanza (SS)	TF 15-0		3.5
MURPHY, DEVIN (12) CS-4 #8 Selma (CS) <b>179</b>	MURPHY	SEL	
OWEN, CAMERON (12) SS-8 Paloma Valley (SS) <b>482</b>	10 3		4.0
PILGER, DYLAN (12) NC-2 Dublin (NC) <b>180</b>	TOLENTINO	POW	
LEE, CARSON (11) SJ-5 Bella Vista (SJ) <b>34</b>	TOLENTINO	POW	4.0
TOLENTINO, NOAH (10) SD-1 #9 Poway (SD)	10 2		3.0
SPANGLER, RYAN (12) SS-6 #5 Sultana (SS) <b>181</b>	SPANGLER	SUL	
LAGUNA, MANUEL (12) LA-1 Eagle Rock (LA) <b>483</b>	F 3:24		6.0
EAST, MCKAY (10) CS-8 Bakersfield (CS) <b>182</b>	GAITAN	TV	
KREMER, CALLUM (12) NS-2 Chester (NS) <b>35</b>	GAITAN	TV	3.0
GAITAN, MJ (10) SS-7 #12 Temecula Valley (SS)	13 6		2.0
LANDIN, JOSE (12) CS-5 #13 Frontier (CS) <b>183</b>	LANDIN	FRO	
COHEN, OUT (10) OS-1 Oakland Tech (OS) <b>484</b>	DEF		6.0
OLIVES, LUCAS (12) SJ-3 Vista del Lago (SJ) <b>184</b>	RUIZ	SJB	
HOLLENBECK, ANDRES (12) SD-4 La Costa Canyon (SD) <b>36</b>	RUIZ	SJB	4.0
RUIZ, NICCO (9) SS-1 #4 St. John Bosco (SS)	F 1:11		4.0
MEDINA, MARCUS (10) SS-5 #14 Servite (SS) <b>185</b>	MEDINA	SRV	
REYES, GABRIEL (12) CS-9 Hanford (CS) <b>485</b>	4 3		4.0
STEVENS, DALLAS (11) NS-1 Gridley (NS) <b>186</b>	FRANCO	CN	
ANTONIO, CHRISTIAN (11) CC-2 Evergreen Valley (CC) <b>37</b>	FRANCO	CN	2.0
FRANCO, RYAN (11) CS-2 #3 Clovis North (CS)	F 5:31		4.0
SCHUMM, GABRIEL (11) SS-4 #11 Citrus Hill (SS) <b>187</b>	SCHUMM	CH	
GARCIA-RODRIGUEZ, SANTIAGO (12) Rancho Buena Vista (SD) <b>486</b>	F 1:29		6.0
DARGANI, ANDRE (10) NC-3 Clayton Valley (NC) <b>188</b>	HERAS	TUR	
BAUTISTA, JASUN (11) CS-6 Righetti (CS) <b>38</b>	HERAS	TUR	4.0
HERAS, ADRIAN (12) SJ-1 #6 Turlock (SJ)	F 3:58		4.0
HAYES, COLLIN (12) SS-3 #10 Northview (SS) <b>189</b>	HAYES	NVW	
FERNANDEZ, GAVIN (9) NC-1 De La Salle (NC) <b>487</b>	8 0		5.0
URREA, ANTHONY (11) SJ-6 Lincoln-S (SJ) <b>190</b>	SWAN	CLO	
SPINEL BUSCHKAMP, NOAH (11) SF Washington (SF) <b>39</b>	SWAN	CLO	4.0
SWAN, SLOAN (9) CS-3 #7 Clovis (CS)	F :19		4.0
BLACKWELL, ELI (12) SJ-2 #15 Tracy (SJ) <b>191</b>	BLACKWELL	TRY	
BADGETT, RYAN (9) SD-3 Rancho Bernardo (SD) <b>488</b>	11 3		5.0
AGUILAR, NATHAN (11) CC-3 Gilroy (CC) <b>192</b>	LEAKE	BUC	
MCLAUGHLIN, JOEY (12) SS-9 Mater Dei (SS) <b>40</b>	LEAKE	BUC	2.0
LEAKE, HUNTER (12) CS-1 #2 Buchanan (CS)	F :55		4.0

NAGAO	ESP SS2	TF 16-1	3.5 1
801	NAGAO	ESP SS2	7 0 5.0 1
MURPHY	SEL CS4	10 6	2.0 8
802	RUIZ	SJB SS1	4 2 5.0 4
RUIZ	SJB SS1	1 0	2.0 4
803	FRANCO	CN CS2	6 0 2.0 3
803	FRANCO	CN CS2	11 6 5.0 3
HERAS	TUR SJ1	17 12	2.0 6
804	LEAKE	BUC CS1	12 0 6.0 2
LEAKE	BUC CS1	9 3	2.0 2
805	SWAN	CLO CS3	2 1 2.0 7
806	LEAKE	BUC CS1	12 0 6.0 2
807	LEAKE	BUC CS1	9 3 2.0 2
808	LEAKE	BUC CS1	12 0 6.0 2
809	LEAKE	BUC CS1	9 3 2.0 2
810	LEAKE	BUC CS1	12 0 6.0 2
811	LEAKE	BUC CS1	9 3 2.0 2
812	LEAKE	BUC CS1	12 0 6.0 2
813	LEAKE	BUC CS1	9 3 2.0 2
814	LEAKE	BUC CS1	12 0 6.0 2
815	LEAKE	BUC CS1	9 3 2.0 2
816	LEAKE	BUC CS1	12 0 6.0 2
817	LEAKE	BUC CS1	9 3 2.0 2
818	LEAKE	BUC CS1	12 0 6.0 2
819	LEAKE	BUC CS1	9 3 2.0 2
820	LEAKE	BUC CS1	12 0 6.0 2
821	LEAKE	BUC CS1	9 3 2.0 2
822	LEAKE	BUC CS1	12 0 6.0 2
823	LEAKE	BUC CS1	9 3 2.0 2
824	LEAKE	BUC CS1	12 0 6.0 2
825	LEAKE	BUC CS1	9 3 2.0 2
826	LEAKE	BUC CS1	12 0 6.0 2
827	LEAKE	BUC CS1	9 3 2.0 2
828	LEAKE	BUC CS1	12 0 6.0 2
829	LEAKE	BUC CS1	9 3 2.0 2
830	LEAKE	BUC CS1	12 0 6.0 2
831	LEAKE	BUC CS1	9 3 2.0 2
832	LEAKE	BUC CS1	12 0 6.0 2
833	LEAKE	BUC CS1	9 3 2.0 2
834	LEAKE	BUC CS1	12 0 6.0 2
835	LEAKE	BUC CS1	9 3 2.0 2
836	LEAKE	BUC CS1	12 0 6.0 2
837	LEAKE	BUC CS1	9 3 2.0 2
838	LEAKE	BUC CS1	12 0 6.0 2
839	LEAKE	BUC CS1	9 3 2.0 2
840	LEAKE	BUC CS1	12 0 6.0 2
841	LEAKE	BUC CS1	9 3 2.0 2
842	LEAKE	BUC CS1	12 0 6.0 2
843	LEAKE	BUC CS1	9 3 2.0 2
844	LEAKE	BUC CS1	12 0 6.0 2
845	LEAKE	BUC CS1	9 3 2.0 2
846	LEAKE	BUC CS1	12 0 6.0 2
847	LEAKE	BUC CS1	9 3 2.0 2
848	LEAKE	BUC CS1	12 0 6.0 2
849	LEAKE	BUC CS1	9 3 2.0 2
850	LEAKE	BUC CS1	12 0 6.0 2
851	LEAKE	BUC CS1	9 3 2.0 2
852	LEAKE	BUC CS1	12 0 6.0 2
853	LEAKE	BUC CS1	9 3 2.0 2
854	LEAKE	BUC CS1	12 0 6.0 2
855	LEAKE	BUC CS1	9 3 2.0 2
856	LEAKE	BUC CS1	12 0 6.0 2
857	LEAKE	BUC CS1	9 3 2.0 2
858	LEAKE	BUC CS1	12 0 6.0 2
859	LEAKE	BUC CS1	9 3 2.0 2
860	LEAKE	BUC CS1	12 0 6.0 2
861	LEAKE	BUC CS1	9 3 2.0 2
862	LEAKE	BUC CS1	12 0 6.0 2
863	LEAKE	BUC CS1	9 3 2.0 2
864	LEAKE	BUC CS1	12 0 6.0 2
865	LEAKE	BUC CS1	9 3 2.0 2
866	LEAKE	BUC CS1	12 0 6.0 2
867	LEAKE	BUC CS1	9 3 2.0 2
868	LEAKE	BUC CS1	12 0 6.0 2
869	LEAKE	BUC CS1	9 3 2.0 2
870	LEAKE	BUC CS1	12 0 6.0 2
871	LEAKE	BUC CS1	9 3 2.0 2
872	LEAKE	BUC CS1	12 0 6.0 2
873	LEAKE	BUC CS1	9 3 2.0 2
874	LEAKE	BUC CS1	12 0 6.0 2
875	LEAKE	BUC CS1	9 3 2.0 2
876	LEAKE	BUC CS1	12 0 6.0 2
877	LEAKE	BUC CS1	9 3 2.0 2
878	LEAKE	BUC CS1	12 0 6.0 2
879	LEAKE	BUC CS1	9 3 2.0 2
880	LEAKE	BUC CS1	12 0 6.0 2
881	LEAKE	BUC CS1	9 3 2.0 2
882	LEAKE	BUC CS1	12 0 6.0 2
883	LEAKE	BUC CS1	9 3 2.0 2
884	LEAKE	BUC CS1	12 0 6.0 2
885	LEAKE	BUC CS1	9 3 2.0 2
886	LEAKE	BUC CS1	12 0 6.0 2
887	LEAKE	BUC CS1	9 3 2.0 2
888	LEAKE	BUC CS1	12 0 6.0 2
889	LEAKE	BUC CS1	9 3 2.0 2
890	LEAKE	BUC CS1	12 0 6.0 2
891	LEAKE	BUC CS1	9 3 2.0 2
892	LEAKE	BUC CS1	12 0 6.0 2
893	LEAKE	BUC CS1	9 3 2.0 2
894	LEAKE	BUC CS1	12 0 6.0 2
895	LEAKE	BUC CS1	9 3 2.0 2
896	LEAKE	BUC CS1	12 0 6.0 2
897	LEAKE	BUC CS1	9 3 2.0 2
898	LEAKE	BUC CS1	12 0 6.0 2
899	LEAKE	BUC CS1	9 3 2.0 2
900	LEAKE	BUC CS1	12 0 6.0 2
901	LEAKE	BUC CS1	9 3 2.0 2
902	LEAKE	BUC CS1	12 0 6.0 2
903	LEAKE	BUC CS1	9 3 2.0 2
904	LEAKE	BUC CS1	12 0 6.0 2
905	LEAKE	BUC CS1	9 3 2.0 2
906	LEAKE	BUC CS1	12 0 6.0 2
907	LEAKE	BUC CS1	9 3 2.0 2
908	LEAKE	BUC CS1	12 0 6.0 2
909	LEAKE	BUC CS1	9 3 2.0 2
910	LEAKE	BUC CS1	12 0 6.0 2
911	LEAKE	BUC CS1	9 3 2.0 2
912	LEAKE	BUC CS1	12 0 6.0 2
913	LEAKE	BUC CS1	9 3 2.0 2
914	LEAKE	BUC CS1	12 0 6.0 2
915	LEAKE	BUC CS1	9 3 2.0 2
916	LEAKE	BUC CS1	12 0 6.0 2
917	LEAKE	BUC CS1	9 3 2.0 2
918	LEAKE	BUC CS1	12 0 6.0 2
919	LEAKE	BUC CS1	9 3 2.0 2
920	LEAKE	BUC CS1	12 0 6.0 2
921	LEAKE	BUC CS1	9 3 2.0 2
922	LEAKE	BUC CS1	12 0 6.0 2
923	LEAKE	BUC CS1	9 3 2.0 2
924	LEAKE	BUC CS1	12 0 6.0 2
925	LEAKE	BUC CS1	9 3 2.0 2
926	LEAKE	BUC CS1	12 0 6.0 2
927	LEAKE	BUC CS1	9 3 2.0 2
928	LEAKE	BUC CS1	12 0 6.0 2
929	LEAKE	BUC CS1	9 3 2.0 2
930	LEAKE	BUC CS1	12 0 6.0 2
931	LEAKE	BUC CS1	9 3 2.0 2
932	LEAKE	BUC CS1	12 0 6.0 2
933	LEAKE	BUC CS1	9 3 2.0 2
934	LEAKE	BUC CS1	12 0 6.0 2
935	LEAKE	BUC CS1	9 3 2.0 2
936	LEAKE	BUC CS1	12 0 6.0 2
937	LEAKE	BUC CS1	9 3 2.0 2
938	LEAKE	BUC CS1	12 0 6.0 2
939	LEAKE	BUC CS1	9 3 2.0 2
940	LEAKE	BUC CS1	12 0 6.0 2
941	LEAKE	BUC CS1	9 3 2.0 2
942	LEAKE	BUC CS1	12 0 6.0 2
943	LEAKE	BUC CS1	9 3 2.0 2
944	LEAKE	BUC CS1	12 0 6.0 2
945	LEAKE	BUC CS1	9 3 2.0 2
946	LEAKE	BUC CS1	12 0 6.0 2
947	LEAKE	BUC CS1	9 3 2.0 2
948	LEAKE	BUC CS1	12 0 6.0 2
949	LEAKE	BUC CS1	9 3 2.0 2
950	LEAKE	BUC CS1	12 0 6.0 2
951	LEAKE	BUC CS1	9 3 2.0 2
952	LEAKE	BUC CS1	12 0 6.0 2
953	LEAKE	BUC CS1	9 3 2.0 2
954	LEAKE	BUC CS1	12 0 6.0 2
955	LEAKE	BUC CS1	9 3 2.0 2
956	LEAKE	BUC CS1	12 0 6.0 2
957	LEAKE	BUC CS1	9 3 2.0 2
958	LEAKE	BUC CS1	12 0 6.0 2
959	LEAKE	BUC CS1	9 3 2.0 2
960	LEAKE	BUC CS1	12 0 6.0 2
961	NAGAO	ESP	2 0 11.0
962	LEAKE	BUC	3 1 11.0
963	LEAKE	BUC	3 1 11.0
964	LEAKE	BUC	3 1 11.0
965	LEAKE	BUC	3 1 11.0
966	LEAKE	BUC	3 1 11.0
967	LEAKE	BUC	3 1 11.0
968	LEAKE	BUC	3 1 11.0
969	LEAKE	BUC	3 1 11.0
970	LEAKE	BUC	3 1 11.0
971	LEAKE	BUC	3 1 11.0
972	LEAKE	BUC	3 1 11.0
973	LEAKE	BUC	3 1 11.0
974	LEAKE	BUC	3 1 11.0
975	LEAKE	BUC	3 1 11.0
976	LEAKE	BUC	3 1 11.0
977	LEAKE	BUC	3 1 11.0
978	LEAKE	BUC	3 1 11.0
979	LEAKE	BUC	3 1 11.0
980	LEAKE	BUC	3 1 11.0
981	LEAKE	BUC	3 1 11.0
982	LEAKE	BUC	3 1 11.0
983	LEAKE	BUC	3 1 11.0
984	LEAKE	BUC	3 1 11.0
985	LEAKE	BUC	3 1 11.0
986	LEAKE	BUC	3 1 11.0
987	LEAKE	BUC	3 1 11.0
988	LEAKE	BUC	3 1 11.0
989	LEAKE	BUC	3 1 11.0
990	LEAKE	BUC	3 1 11.0
991	LEAKE	BUC	3 1 11.0
992	LEAKE	BUC	3 1 11.0
993	LEAKE	BUC	3 1 11.0
994	LEAKE	BUC	3 1 11.0
995	LEAKE	BUC	3 1 11.0
996	LEAKE		





# 2020 CIF State Championship

Weight Class : **145 Lbs.**



VASQUEZ, JESSE (12) SS-1 #1 Excelsior Charter (SS) <b>209</b>	VASQUEZ	EXC	6.0
GONZALEZ, RICHARD (12) CS-7 St. Joseph'S (CS)	F :11		4.0
LOPEZ, DONTE (10) CC-2 Gilroy (CC) <b>210</b>	LOPEZ	GIL	4.0
MUNOZ, ALEX (9) SS-6 #16 Valencia/V (SS)	VAV 13 7		2.0
ARANDA, OSCAR (10) SS-4 #8 St. John Bosco (SS) <b>211</b>	ARANDA	SJB	6.0
SCHUMANN, BRAYDEN (10) NS-1 Orland (NS)	F 1:02		4.0
MORGAN, AUSTIN (12) SJ-5 Vacaville (SJ) <b>212</b>	FLETCHER	FRO	3.0
GUTIERREZ, JOSE (11) SD-3 Brawley (SD) <b>50</b>	FLETCHER 15 2		4.0
FLETCHER, GARRETT (12) CS-2 #9 Frontier (CS)	F 1:24		6.0
MONTOYA, SERGIO (9) CS-3 #12 Clovis North (CS) <b>213</b>	MONTOYA	CN	6.0
SMITH-WILLIAMS, ERIC (11) LA-2 Palisades (LA)	F 2:55		4.0
BURNETT, LEVI (12) SJ-6 Vista del Lago (SJ) <b>214</b>	GIOFFRE	BUC	4.0
CERRATO-LOPEZ, GENARO (12) SS-1 Indian Springs (SS) <b>51</b>	GIOFFRE	BUC	3.5
GIOFFRE, LOGAN (12) CS-1 #5 Buchanan (CS)	TF 16-0		6.0
GAYER, LUKE (10) SS-3 #4 Calvary Chapel (SS) <b>215</b>	GAYER	CCH	6.0
OCAMPO, JAVIER (12) CS-6 North (CS)	F 1:44		6.0
OLIVERA, VINCE (12) SJ-3 Bella Vista (SJ) <b>216</b>	OLIVERA	BEV	6.0
NAVARRO, ANTONIO (11) SD-4 Vista (SD) <b>52</b>	COWAN	LIV	4.0
COWAN, TIMOTHY (10) NC-1 #13 Livermore (NC)	F 3:07		4.0
OSORIO, FELIX (12) SS-5 #14 Santa Fe (SS) <b>217</b>	OSORIO	SFE	4.0
LOBOS, DESI (11) LA-1 Birmingham (LA)	9 4		4.0
DAVIDSON, CAMERON (12) CS-T Paso Robles (CS) <b>218</b>	LE	RBE	4.0
ESTRADA, ANTHONY (10) CS-8 Monache (CS) <b>53</b>	LE	RBE	4.0
LE, JADEN (12) SD-2 #3 Rancho Bernardo (SD)	F 3:04		5.0
SCHWARZBACH, ADAR (11) CC-1 #11 Palo Alto (CC) <b>219</b>	SCHWARZBACH	PA	5.0
MONELA, ALEX (12) NC-3 James Logan (NC)	14 4		4.0
JUAREZ, JAMES (11) CS-9 Bakersfield (CS) <b>220</b>	GARZA	OKD	4.0
BYE	GARZA	OKD	0.0
GARZA, CEASAR (10) SJ-1 #6 Oakdale (SJ)	7 1		5.5
AVINA-BARAJAS, LOGAN (12) CS-4 #10 Clovis (CS) <b>221</b>	AVINA-BARAJAS	CLO	5.5
BONES, JARYD (12) SS-9 Laguna Hills (SS)	TF 17-1		4.0
RYABOY, MICHAEL (12) SF-1 Lowell (SF) <b>222</b>	BLAKE	DO	2.0
TANG, JASON (12) CC-3 Riordan (CC) <b>55</b>	BLAKE	DO	4.0
BLAKE, ELI (12) SJ-2 #7 Del Oro (SJ)	F 1:19		4.0
RAMIREZ, LUIS (12) SS-8 #15 Fountain Valley (SS) <b>223</b>	RAMIREZ	FV	4.0
MOORE, SKYLER (12) NC-2 Del Norte (NC)	6 0		4.0
RUDKIN, ALEX (11) NS-2 Chico (NS) <b>224</b>	GANDARA	POW	3.5
GARRETT, GREGORY (10) CS-5 Central (CS) <b>56</b>	GANDARA	POW	4.0
GANDARA, AARON (12) SD-1 #2 Poway (SD)	TF 15-0		

## 145 Lbs.

<b>809</b>	VASQUEZ	EXC SS1	4.0 1
<b>810</b>	ARANDA	SJB SS4	4.0 8
<b>811</b>	GIOFFRE	BUC CS1	2.0 5
<b>812</b>	GAYER	CCH SS3	3.0 4
<b>821</b>	LE	RBE SD2	4.0 3
<b>831</b>	LE	RBE SD2	5.0 3
<b>841</b>	GARZA	OKD SJ1	2.0 6
<b>851</b>	BLAKE	DO SJ2	2.0 7
<b>861</b>	GANDARA	POW SD1	5.0 2
<b>871</b>	GANDARA	POW SD1	4.0 2
<b>881</b>	MONTOYA	CN CS3	1.0
<b>891</b>	BLAKE	DO SJ2	4.0
<b>901</b>	BLAKE	DO	3.0
<b>911</b>	FLETCHER	FRO CS2	2.0
<b>921</b>	GARZA	OKD SJ1	2.0
<b>931</b>	GARZA	OKD SJ1	2.0
<b>941</b>	AVINA-BARAJ	CLO CS4	1.0
<b>951</b>	GAYER	CCH SS3	2.0
<b>961</b>	GAYER	CCH SS3	3.0
<b>971</b>	SCHWARZBA	PA CC1	1.0
<b>981</b>	SCHWARZBA	PA CC1	1.0
<b>991</b>	ARANDA	SJB SS4	2.0
<b>1001</b>	ARANDA	SJB SS4	2.0
<b>1011</b>	GANDARA	POW	5.0
<b>1021</b>	GANDARA	POW	5.0
<b>1031</b>	GANDARA	POW	5.0
<b>1041</b>	GANDARA	POW	5.0
<b>1051</b>	GANDARA	POW	2.0
<b>1061</b>	GANDARA	POW	2.0
<b>1071</b>	GANDARA	POW	2.0
<b>1081</b>	GANDARA	POW	2.0
<b>1091</b>	GANDARA	POW	2.0
<b>1101</b>	GANDARA	POW	2.0
<b>1111</b>	GANDARA	POW	2.0
<b>1121</b>	GANDARA	POW	2.0
<b>1131</b>	GANDARA	POW	2.0
<b>1141</b>	GANDARA	POW	2.0
<b>1151</b>	GANDARA	POW	2.0
<b>1161</b>	GANDARA	POW	2.0
<b>1171</b>	GANDARA	POW	2.0
<b>1181</b>	GANDARA	POW	2.0
<b>1191</b>	GANDARA	POW	2.0
<b>1201</b>	GANDARA	POW	2.0

**VASQUEZ, JESSE (12) SS-1 #1**  
Excelsior Charter (SS)  
St Rnk 1 St '19 (138); 3-timer

**LE, JADEN (12) SD-2 #3**  
Rancho Bernardo (SD)  
St Rnk 3 St '19 CA (138)

- 1st VASQUEZ, JESSE (12) SS-1 #1 Excelsior Charter (SS)
- 2nd LE, JADEN (12) SD-2 #3 Rancho Bernardo (SD)
- 3rd GANDARA, AARON (12) SD-1 #2 Poway (SD)
- 4th GIOFFRE, LOGAN (12) CS-1 #5 Buchanan (CS)
- 5th BLAKE, ELI (12) SJ-2 #7 Del Oro (SJ)
- 6th GAYER, LUKE (10) SS-3 #4 Calvary Chapel (SS)
- 7th GARZA, CEASAR (10) SJ-1 #6 Oakdale (SJ)
- 8th ARANDA, OSCAR (10) SS-4 #8 St. John Bosco (SS)



KING LN-S	KING LN-S	6 5 1.0	KING LN-S
LOBOS BIR	DAVIDSON PR	10 0 2.0	OLIVERA BEV
GUTIERREZ BRW	OLIVERA BEV	10 5 1.0	
MONELA JL	GUTIERREZ JL	7 2 1.0	721
CERRATO-LOPEZ IS	JUAREZ BAK	9 7 1.0	865
BONES LHL	CERRATO-LOP IS	7 2 1.0	610
NAVARRO VIS	RYABOY LOW	8 7 1.0	722
MOORE DN	FLETCHER FRO	2 32 3.0	866
ESTRADA MON	MOORE DN	16 3 2.0	922
GONZALEZ SJO	RUDKIN CHC	11 2 2.0	922
BYE	GONZALEZ SJO	7 4 1.0	922
SCHUMANN ORL	MUNOZ VAV	9 0 2.0	867
TANG RIO	MUNOZ VAV	9 0 2.0	867
SMITH-WILLIAMS PLS	RAMIREZ FV	DEF 3.0	725
GARRETT CEN	SCHUMANN ORL	0.0	725
OCAMPO NO	MORGAN VAC	5 2 1.0	867
OCAMPO NO	AVINA-BARAJA CLO	TF 16-0 2.5	726
	TANG RIO	7 26 2.5	726
	BURNETT VDL	3 1 1.0	727
	SCHWARZBA PA	8 3 1.0	727
	SCHWARZBA PA	8 3 1.0	727
	OCAMPO NO	7 2 1.0	727
	COWAN LIV	2 1 1.0	727
	OSORIO SFE	5 2 1.0	728

GARZA OKD	7th	BLAKE DO	5th
1057	GARZA OKD	1056	BLAKE DO
ARANDA SJB	3 2 1.0	GAYER CCH	4 0 2.0



# 2020 CIF State Championship

Weight Class : **152 Lbs.**



OKADA, TYLER (11) SS-5 #16	OKADA	SRV	
Servite (SS) <b>225</b>	OKADA	SRV	6.0
PHIMMASON, KHENNY (11) SF-1	F 1:18		
Washington (SF)			505
LEE, CONNER (12) SS-9			
Dos Pueblos (SS) <b>226</b>	SALDATE	GIL	4.0
Garces (CS) <b>57</b>	SALDATE	GIL	4.0
SALDATE, CHASE (12) CC-1 #1	F :54		
Gilroy (CC)			813
SANCHEZ, COLE (12) NC-1 #8			
Northgate (NC) <b>227</b>	SANCHEZ	NG	6.0
LEWIS, WYATT (12) SS-7	F 5:24		
Northview (SS)			506
STAFFORD, VINCENT (12) CS-7			
Sanger (CS) <b>228</b>	CAMPOS	DO	4.0
Central Union (SD) <b>58</b>	CAMPOS	DO	4.0
CAMPOS, JED (11) SJ-1 #9	5 2		2.0
Del Oro (SJ)			967
RAIZ, REYMUNDO (12) CS-1 #5			
Buchanan (CS) <b>229</b>	RAIZ	BUC	4.0
MAGHONEY, ZION (12) SJ-4	5 1		4.0
Enochs (SJ)			507
CANTORIANO, ANDREW (10) CS-T			
Clovis West (CS) <b>230</b>	HOULE	CV	2.0
Corning (NS) <b>59</b>	HOULE	CV	2.0
HOULE, TRENT (11) SS-4 #12	F 1:57		4.0
Capistrano Valley (SS)			814
NAVIDA, CHRISTIAN (12) SD-2 #13			
Poway (SD) <b>231</b>	NAVIDA	POW	6.0
MARTINEZ, RICKIEH (11) CS-6	F :45		
Clovis (CS)			508
VIGUERIAS, ANGEL (11) OS-1			
Skyline (OS) <b>232</b>	BOLLINGER	SUL	4.0
Pitman (SJ) <b>60</b>	BOLLINGER	SUL	4.0
BOLLINGER, BRANDON (12) SS-2 #4	6 2		2.0
Sultana (SS)			152 Lbs.
ALMAGUER, EVAN (12) CS-3 #14			
Clovis North (CS) <b>233</b>	ALMAGUER	CN	5.0
PROVINS, JOSH (11) SJ-6	11 1		5.0
Roseville (SJ)			509
FRANCO, MARIO (11) NC-2			
De La Salle (NC) <b>234</b>	BADGETT	RBE	4.0
Canyon Springs (SS) <b>61</b>	BADGETT	RBE	4.0
BADGETT, TYLER (12) SD-1 #3	5 0		2.0
Rancho Bernardo (SD)			815
MORA, JOEY (12) SS-3 #11			
Esperanza (SS) <b>235</b>	MORA	ESP	5.5
TAPIA, SEBASTIAN (12) LA-1	TF 19-2		
Bell (LA)			510
HOFFMAN, SHANE (11) SJ-3			
Del Campo (SJ) <b>236</b>	CORTEZ	DIN	3.0
FORMAN, ANDREW (12) CC-3	CORTEZ	DIN	3.0
Mitty (CC) <b>62</b>	CORTEZ	DIN	3.0
CORTEZ, NOAH (12) CS-2 #6	F 4:49		4.0
Dinuba (CS)			968
BORBA, SETH (11) SJ-2 #10			
Oakdale (SJ) <b>237</b>	BORBA	OKD	6.0
CHIQUITO, JUAN (12) SS-6	F 2:24		
Hesperia (SS)			511
WILSON, WESLEY (10) CS-8			
Morro Bay (CS) <b>238</b>	RABY	WV-NS	4.0
HAYES, DEVHANTE (10) SD-4	RABY	WV-NS	4.0
Mira Mesa (SD) <b>63</b>	RABY	WV-NS	4.0
RABY, ROCKY (12) NS-1 #7	F 1:57		4.0
West Valley (NS)			816
ZUNIGA, GEORGE (12) CS-4 #15			
Selma (CS) <b>239</b>	HEYDARPOUR	PA	4.0
HEYDARPOUR, DARA (12) CC-2	4 3		4.0
Palo Alto (CC)			512
MATHESON, RYLAN (12) NC-3			
Granada (NC) <b>240</b>	SANTIAGO	SJB	4.0
WEIMER, DWIGHT (9) CS-9	SANTIAGO	SJB	4.0
Bakersfield (CS) <b>64</b>	SANTIAGO	SJB	4.0
SANTIAGO, SONNY (12) SS-1 #2	F 1:45		4.0
St. John Bosco (SS)			

SALDATE	GIL	CC1	4.0	1
F :57				
				813
SALDATE	GIL	CC1	7.0	1
F :52				
				967
CAMPOS	DO	SJ1	2.0	9
4 1				
				967
RAIZ	BUC	CS1	2.0	5
9 3				
				814
RAIZ	BUC	CS1	5.0	5
3 1				
				814
NAVIDA	POW	SD2	4.0	13
F 5:06				
				508
BOLLINGER	SUL		4.0	
F 2:24				
				60
BADGETT	RBE	SD1	2.0	3
7 0				
				815
BADGETT	RBE	SD1	7.0	3
F 3:57				
				968
CORTEZ	DIN	CS2	2.0	6
7 6				
				815
SANTIAGO	SJB	SS1	5.0	2
3 2				
				816
SANTIAGO	SJB	SS1	3.0	2
20 9				
				816
WV-NS	NS1		2.0	7
8 3				
				816
SANTIAGO	SJB	SS1	5.0	2
3 2				
				816
MONTEIRO	GAR	CS5	3.0	
F 4:26				
				925
MONTEIRO	GAR	CS5	4.0	
F 3:37				
				925
CORTEZ	DIN		3.0	
9 2				
				995
CORTEZ	DIN	CS2	2.0	
9 2				
				926
RAIZ	BUC		5.0	
3 2				
				1023
BORBA	OKD	SJ2	1.0	
7 0				
				927
BORBA	OKD	SJ2	2.0	
3 1				
				927
NAVIDA	POW	SD2	2.0	
				996
CAMPOS	DO		3.0	
4 2				
				996
MORA	ESP	SS3	1.0	
6 3				
				928
CAMPOS	DO	SJ1	2.0	
3 1				
				928
CAMPOS	DO	SJ1	5.0	
				1024
SANTIAGO	SJB		5.0	
8 1				
				1024
MONTEIRO	GAR		7th	
1060				
BORBA	OKD		1.0	
7 1				
				1060
CORTEZ	DIN		5th	
1059				
CAMPOS	DO		2.0	
3 2				
				1059

SALDATE, CHASE (12) CC-1 #1			
Gilroy (CC)			
St Rnk	1	St '19	d CA (138)

SALDATE			
Gilroy (CC)			
St Rnk	1	St '19	d CA (138)

BADGETT, TYLER (12) SD-1 #3			
Rancho Bernardo (SD)			
St Rnk	3	St '19	d CA (152)

- 1st SALDATE, CHASE (12) CC-1 #1 Gilroy (CC)
- 2nd BADGETT, TYLER (12) SD-1 #3 Rancho Bernardo (SD)
- 3rd SANTIAGO, SONNY (12) SS-1 #2 St. John Bosco (SS)
- 4th RAIZ, REYMUNDO (12) CS-1 #5 Buchanan (CS)
- 5th CAMPOS, JED (11) SJ-1 #9 Del Oro (SJ)
- 6th CORTEZ, NOAH (12) CS-2 #6 Dinuba (CS)
- 7th BORBA, SETH (11) SJ-2 #10 Oakdale (SJ)
- 8th MONTEIRO, TYE (9) CS-5 Garces (CS)



MONTEIRO	GAR		
MONTEIRO	GAR		
F 1:19			3.0
			MONTEIRO
393			
FRANCO	DLS		3.0
F :53			
			MONTEIRO
BOLLINGER	SUL		3.0
F 2:30			
			869
ROSAS	CU		1.0
2 0			
			ROSAS
394			
HOFFMAN	DC		1.0
5 2			
			HOULE
618			2.0
F 3:56			
			WILSON
395			3.0
WILSON	MB		3.0
F 2:48			
			SANCHEZ
619			2.5
TF 15-0			
			870
ZUNIGA	SEL		3.0
F 4:21			
			OKADA
396			2.0
MATHESON	GRA		2.0
13 3			
			OKADA
620			2.0
OKADA	SRV		17 6
			732
TRUMBULL	CS		3.0
F 1:49			
			TRUMBULL
397			2.0
LEE	DP		2.0
13 4			
			HEYDARPOUI
621			1.0
HEYDARPOUR	PA		9 6
			871
FORMAN	MIT		1.0
FORMAN	MIT		1.0
5 1			
			FORMAN
398			2.0
STAFFORD	SAN		2.0
11 3			
			BORBA
622			2.0
BORBA	OKD		8 0
			734
MAGHONEY	ENO		1.0
2 1			
			MAGHONEY
399			1.0
CANTORIANO	CW		1.0
4 0			
			MORA
623			2.0
MORA	ESP		11 2
			872
WEIMER	BAK		1.0
WEIMER	BAK		1.0
7 3			
			WEIMER
400			3.0
VIGUERIAS	SKY		3.0
F 4:21			
			ALMAGUER
624			1.0
ALMAGUER	CN		3 0
			736

MONTEIRO	GAR		7th	
1060				
BORBA	OKD		1.0	
7 1				
				1060
CORTEZ	DIN		5th	
1059				
CAMPOS	DO		2.0	
3 2				
				1059

# 2020 CIF State Championship

Weight Class : **160 Lbs.**



VALENCIA, CAEL (11) SS-1 #1	St. John Bosco (SS)	241	VALENCIA	SJB
MERKORD, WYATT (9) CS-7	Clovis (CS)	513		
WILCOX, MASON (12) SJ-4	Granite Bay (SJ)	242	CREIGHTON	PA
HAN, ANDREW (12) SD-4	CREIGHTON	PA	TF 19-3	3.5
Rancho Bernardo (SD)	65	10	3	2.0
CREIGHTON, BRAUMON (10) CC-2 #1	Palo Alto (CC)			
	KLOSTER, WILL (12) CS-2 #8	243	KLOSTER	LEM
	Lemoore (CS)	243		
	PORTERFILED, CADE (12) SD-3	4	0	4.0
	La Costa Canyon (SD)	514		
	GANAC, ANGELO (12) SS-8	244	PRUDEK	CRU
WILSON, ERNEST (12) NS-2	Los Osos (SS)	244	PRUDEK	CRU
Foothill (NS)	66	F	:55	4.0
PRUDEK, JAKE (11) CS-3 #9	Caruthers (CS)			
	LAROSA, KENDALL (12) SJ-1 #5	245	LAROSA	PTM
	Pitman (SJ)	245		
	PORTER, MICHA (9) CC-3	F	1:43	6.0
	Gilroy (CC)	515		
	LOPEZ, JACOB (10) CS-6	246	ORTIZ	IMP
JUAREZ, JAY (12) SS-5	Clovis North (CS)	246	ORTIZ	IMP
Tesoro (SS)	67	F	:43	4.0
ORTIZ, PAUL (11) SD-1 #12	Imperial (SD)			
	SEPULVEDA, TYLER (11) CS-4 #13	247	SEPULVEDA	SEL
	Selma (CS)	247		
	MCNAIR, LIAM (12) SS-7	5	2	4.0
	Damien (SS)	516		
	GUERRERO, DARIN (10) NC-2	248	CONTINO	BUC
ROSENDALE, ETHAN (11) SJ-6	De La Salle (NC)	248	CONTINO	BUC
Davis (SJ)	68	F	3:14	4.0
CONTINO, ROCCO (11) CS-1 #4	Buchanan (CS)			
	SANCHEZ, JADEN (12) CS-5 #14	249	SANCHEZ	BAK
	Bakersfield (CS)	249		
	HENDRICK, TOURE (10) SJ-5	9	5	4.0
	Folsom (SJ)	517		
	GRANADOS, JOSEPH (12) LA-1	250	WILNER	FV
CHAN, CADEN (11) SF-1	Sylmar (LA)	250	WILNER	FV
Lowell (SF)	69	F	1:56	4.0
WILNER, MAX (11) SS-6 #3	Fountain Valley (SS)			
	SILVA, TRENT (12) NC-1 #6	251	SILVA	WIN
	Windsor (NC)	251		
	JOHNSON, ERIK (11) SJ-3	F	1:14	6.0
	Vista del Lago (SJ)	518		
	GAMEZ, MARCOS (12) CS-8	252	AGUINIGA	SUL
DODD, J'SHAWN (11) OS-1	Firebaugh (CS)	252	AGUINIGA	SUL
Oakland Tech (OS)	70	F	:35	4.0
AGUINIGA, ETHAN (11) SS-3 #11	Sultana (SS)			
	KHAN, HASSAN (12) SJ-2 #10	253	KHAN	FRA
	Franklin-EG (SJ)	253		
	CARTER, NEIL (12) SS-9	6	0	4.0
	Servite (SS)	519		
	VALE, JACOB (12) SD-2	254	JIMENEZ	EV
ESPOSITO, ANGELO (10) NC-3	Poway (SD)	254	JIMENEZ	EV
Northgate (NC)	71	F	1:09	4.0
JIMENEZ, MARCOS (12) CC-1 #7	Evergreen Valley (CC)			
	MUNOZ, TRENT (11) SS-4 #15	255	MUNOZ	VAV
	Valencia/V (SS)	255		
	LEON, DOMINICK (11) CS-9	7	3	4.0
	Golden Valley (CS)	520		
	HERNANDEZ, AARON (10) NS-1	256	SPARKS	CCH
PEREZ, FERNANDO (12) CS-T	Durham (NS)	256	SPARKS	CCH
Sierra Pacific (CS)	72	F	5:27	4.0
SPARKS, ANDREW (12) SS-2 #2	Calvary Chapel (SS)			
	SPARKS, ANDREW (12) SS-2 #2	F	3:34	4.0

VALENCIA	SJB SS1	4.0	1
F	1:29		
817			
VALENCIA	SJB SS1	7.0	1
F	1:45		
KLOSTER	LEM CS2	2.0	8
5	4		
969			
VALENCIA	SJB	13.0	
F	5:42		
818			
CONTINO	BUC CS1	5.0	4
5	3		
CONTINO	BUC CS1	4.0	4
F	1:39		
1087			
SPARKS	CCH	4.0	
7	1		1st
819			
WILNER	FV SS6	4.0	3
F	5:02		
SILVA	WIN NC1	7.0	6
F	3:29		
SILVA	WIN NC1	4.0	6
F	1:03		
970			
SPARKS	CCH	12.0	
12	2		
820			
SPARKS	CCH SS2	7.0	2
F	5:24		

<b>VALENCIA, CAEL (11) SS-1 #1</b>			
<b>St. John Bosco (SS)</b>			
St Rnk	1	St '19	d CA (145)

<b>SPARKS, ANDREW (12) SS-2 #2</b>			
<b>Calvary Chapel (SS)</b>			
St Rnk	2	St '19	

- 1st SPARKS, ANDREW (12) SS-2 #2 Calvary Chapel (SS)
- 2nd VALENCIA, CAEL (11) SS-1 #1 St. John Bosco (SS)
- 3rd CONTINO, ROCCO (11) CS-1 #4 Buchanan (CS)
- 4th LAROSA, KENDALL (12) SJ-1 #5 Pitman (SJ)
- 5th WILNER, MAX (11) SS-6 #3 Fountain Valley (SS)
- 6th SILVA, TRENT (12) NC-1 #6 Windsor (NC)
- 7th KHAN, HASSAN (12) SJ-2 #10 Franklin-EG (SJ)
- 8th KLOSTER, WILL (12) CS-2 #8 Lemoore (CS)

HAN	RBE	HENDRICK	FOL	5	4	1.0	GRANADOS	SYL	3.0
HENDRICK	FOL	5	4	1.0	GRANADOS	SYL	F	4:53	3.0
401					SEPULVEDA	SEL	7	2	1.0
WILSON	FH-NS	625			JOHNSON	VDL	13	2	2.0
JOHNSON	VDL	13	2	2.0	GAMEZ	FIR	7	4	1.0
402					ORTIZ	IMP	F	:09	3.0
JUAREZ	TES	626			CARTER	SRV	5	0	1.0
CARTER	SRV	5	0	1.0	VALE	POW	F	4:14	3.0
403					PRUDEK	CRU	4	1	1.0
ROSENDALE	DAV	627			LEON	GV-CS	9	0	2.0
LEON	GV-CS	9	0	2.0	HERNANDEZ	DUR	1	0	1.0
404					CREIGHTON	PA	5	2	1.0
CHAN	LOW	628			MERKORD	CLO	18	9	2.0
MERKORD	CLO	18	9	2.0	WILCOX	GB	F	1:48	3.0
405					MUNOZ	VAV	TF	15-0	2.5
DODD	OT	629			PORTERFILED	LCC	F	:35	3.0
PORTERFILED	LCC	F	:35	3.0	GANAC	LOS	8	3	1.0
406					JIMENEZ	EV	10	0	2.0
ESPOSITO	NG	630			PORTER	GIL	F	4:54	3.0
PORTER	GIL	F	4:54	3.0	LOPEZ	CN	3	2	1.0
407					LOPEZ	CN	3	2	1.0
PEREZ	SPA	631			MCNAIR	DAM	11	3	2.0
MCNAIR	DAM	11	3	2.0	GUERRERO	DLS	6	5	1.0
408					SANCHEZ	BAK	5	3	1.0

ORTIZ	IMP SD1	3.0	
F	4:12		
929			
KHAN	FRA SJ2	2.0	
7	4		
997			
WILNER	FV	3.0	
9	3		
930			
PRUDEK	CRU CS3	1.0	
9	5		
WILNER	FV SS6	2.0	
4	0		
1025			
CONTINO	BUC	5.0	
5	4		
1061			
CONTINO	BUC	2.0	
5	1		3rd
998			
LAROSA	PTM SJ1	2.0	
10	6		
931			
JIMENEZ	EV CC1	1.0	
8	2		
932			
KLOSTER	LEM CS2	2.0	
5	0		
1026			
LAROSA	PTM	3.0	
2	0		
1063			
KHAN	FRA	7th	
7th			
1062			
WILNER	FV	5th	
5th			
WILNER	FV	2.0	
5	2		











# 2020 CIF State Championship

Weight Class : **195 Lbs.**



GARZA, JESSE (12) CS-6 #16 Nipomo (CS) <b>289</b>	GARZA	NIP	
HACKETT, LANCE (12) NC-2 De La Salle (NC)	3 0	4.0	
LABASS, MARK (12) SJ-6 Hilmar (SJ) <b>290</b>	ESCOBEDO	LA	
Bakersfield (CS) <b>89</b>	ESCOBEDO	LA	F 25-10 4.0
ESCOBEDO, GUILLERMO (12) SS-1 #1 Los Altos (SS)	F 2:49	4.0	
HANSEN, SHANE (12) SD-1 #8 Oceanside (SD) <b>291</b>	HANSEN	OCE	
SERRANO, ANGEL (11) SS-9 Rio Mesa (SS)	TF 24-9	5.5	
POTTS, JACOB (10) SS-8 Estancia (SS) <b>292</b>	WEST	OR	
RODGERS, CADEN (10) CS-7 Buchanan (CS) <b>90</b>	WEST	OR	F :45 4.0
WEST, KADEN (12) SJ-2 #9 Oak Ridge (SJ)	7 5	2.0	
HARKEY, JOSH (12) SS-4 #5 Dana Hills (SS) <b>293</b>	HARKEY	DH	
LOPEZ, JOEL (11) NS-2 Orland (NS)	4 0	4.0	
MANNION, ANDREW (11) CS-8 Clovis East (CS) <b>294</b>	RICHARDS	ROY	
MATHES, OLANDIS (12) CC-1 Carmel (CC) <b>91</b>	RICHARDS	ROY	8 4 2.0
RICHARDS, JACK (12) SS-6 #12 Royal (SS)	13 2	3.0	
GILMORE, LAITH (12) SD-2 #13 Poway (SD) <b>295</b>	GILMORE	POW	
IVY, CALLAN (12) NC-3 San Leandro (NC)	F 3:25	6.0	
MARTINEZ, BRYAN (12) SF-1 Mission (SF) <b>296</b>	RODRIGUEZ	CW	
MENDOZA, ELIAS (11) SJ-3 Granite Bay (SJ) <b>92</b>	RODRIGUEZ	CW	F 1:32 4.0
RODRIGUEZ, FELIPE (12) CS-2 #4 Clovis West (CS)	F 3:22	4.0	
MODLIN, KURTIS (11) SD-3 #14 Mira Mesa (SD) <b>297</b>	NUNLEY	TU	
NUNLEY, BEAR (12) CS-T Tulare Union (CS)	F 5:36	6.0	
POMILIA, FRANKIE (12) NC-1 Ukiah (NC) <b>298</b>	WILSON	SRV	
HUMBIRD, DYLAN (11) SJ-4 Ponderosa (SJ) <b>93</b>	WILSON	SRV	F :25 4.0
WILSON, TRISTEN (12) SS-2 #3 Servite (SS)	F 4:58	4.0	
GARCIA, RUDY (12) CS-4 #11 Selma (CS) <b>299</b>	GARCIA	SEL	
CASTANEDA, CARLOS (9) OS-1 Skyline (OS)	F :51	6.0	
MEJIA, MIGUEL (12) CC-3 Andrew Hill (CC) <b>300</b>	GIANGREGORIO	CLV	
LOGINOV, ARTEM (12) SS-5 Ribet Academy (SS) <b>94</b>	GIANGREGORIO	CLV	F :45 4.0
GIANGREGORIO, DONIVAN (11) SJ-1 Calaveras (SJ)	3 0	2.0	
TINKER, TREVOR (12) SS-3 #7 Northview (SS) <b>301</b>	TINKER	NVW	
BLANCHARD, NICK (12) SD-4 Rancho Bernardo (SD)	F 4:40	6.0	
GIPSON, MAXIMUS (12) NS-1 Sutter (NS) <b>302</b>	GIPSON	SUT	
AGUIRRE, JOEL (12) LA-1 Bell (LA) <b>95</b>	SHARP	CN	F 1:19 6.0
SHARP, PAUL (10) CS-3 #10 Clovis North (CS)	F 4:26	4.0	
GIANKOPULOS, TYLER (12) CS-1 #2 Clovis (CS) <b>303</b>	GIANKOPULOS	CLO	
PETERS, CHRISTOPHER (12) SS-7 Valencia (SS)	F 3:56	6.0	
JIMENEZ, CARLOS (12) CC-2 Evergreen Valley (CC) <b>304</b>	JIMENEZ	EV	
BANDY, ETHAN (12) SJ-5 Roseville (SJ) <b>96</b>	BANDY	ROS	10 9 2.0
GARCIA, MASON (12) CS-5 #15 Arroyo Grande (CS)	8 6	2.0	

**195 Lbs.**

ESCOBEDO	LA SS1	14 5	3.0 1	
ESCOBEDO	LA SS1	13 7	5.0 1	
HANSEN	OCE SD1	F 4:35	4.0 8	
HARKEY	DH SS4	F :51	4.0 5	
RODRIGUEZ	CW CS2	5 0	5.0 4	
RODRIGUEZ	CW CS2	11 3	3.0 4	
WILSON	SRV SS2	13 7	2.0 3	
WILSON	SRV SS2	F 1:42	7.0 3	
GARCIA	SEL CS4	7 2	2.0 11	
TINKER	NVW SS3	6 2	2.0 7	
GIANKOPULOS	CLO CS1	8 3	5.0 2	
GIANKOPULOS	CLO CS1	F :29	4.0 2	
GILMORE	POW SD2	5 1	1.0	
TINKER	NVW SS3	3 2	2.0	
TINKER	NVW	5 0	3.0	
WEST	OR SJ2	6 3	1.0	
GARCIA	SEL CS4	7 2	2.0	
GARCIA	SEL CS4	7 2	2.0	
HACKETT	DLS NC2	3 0	1.0	
HARKEY	DH SS4	6 4	2.0	
HARKEY	DH SS4	7 2	3.0	
GIANGREGOF	CLV SJ1	F 4:59	3.0	
GIANGREGOF	CLV SJ1	F 3:52	4.0	
HANSEN	OCE SD1			
GARCIA	SEL			
GIANGREGOF	CLV			
GIANGREGOF	CLV			
HARKEY	DH			
HARKEY	DH			
WILSON	SRV			
WILSON	SRV			
HARKEY	DH			
HARKEY	DH			

<b>ESCOBEDO, GUILLERMO (12) SS-1 #1</b>			
Los Altos (SS)			
St Rnk	1	St '19	CA (220)

<b>GIANKOPULOS, TYLER (12) CS</b>			
Clovis (CS)			
St Rnk	2	St '19	CA (182)

- 1st ESCOBEDO, GUILLERMO (12) SS-1 #1 Los Altos (SS)
- 2nd GIANKOPULOS, TYLER (12) CS-1 #2 Clovis (CS)
- 3rd WILSON, TRISTEN (12) SS-2 #3 Servite (SS)
- 4th RODRIGUEZ, FELIPE (12) CS-2 #4 Clovis West (CS)
- 5th HARKEY, JOSH (12) SS-4 #5 Dana Hills (SS)
- 6th TINKER, TREVOR (12) SS-3 #7 Northview (SS)
- 7th GIANGREGORIO, DONIVAN (11) SJ-1 #6 Calaveras (SJ)
- 8th GARCIA, RUDY (12) CS-4 #11 Selma (CS)



TRUJILLO	BAK	TRUJILLO	BAK	
MODLIN	MM	8 5	1.0	POMILIA UKI
RODGERS	BUC	649	1.0	GILMORE POW
CASTANEDA	SKY	F :55	3.0	RODGERS BUC
MATHES	CAR	650	3.0	RODGERS BUC
BLANCHARD	RBE	7 1	1.0	SHARP CN
MENDOZA	GB	651	1.0	WEST OR
PETERS	VAL	F 3:00	3.0	MENDOZA GB
HUMBIRD	PON	652	1.0	GARZA NIP
HACKETT	DLS	7 2	1.0	HACKETT DLS
LOGINOV	RA	653	1.0	JIMENEZ EV
SERRANO	RM	13 4	2.0	LOGINOV RA
AGUIRRE	BLL	654	1.0	GIPSON SUT
LOPEZ	ORL	5 3	1.0	MANNION CE
GARCIA	AGR	655	1.0	GIANGREGOF CLV
IVY	SL	5 2	1.0	GARCIA AGR
		656	3.0	GARCIA AGR
			3.0	NUNLEY TU

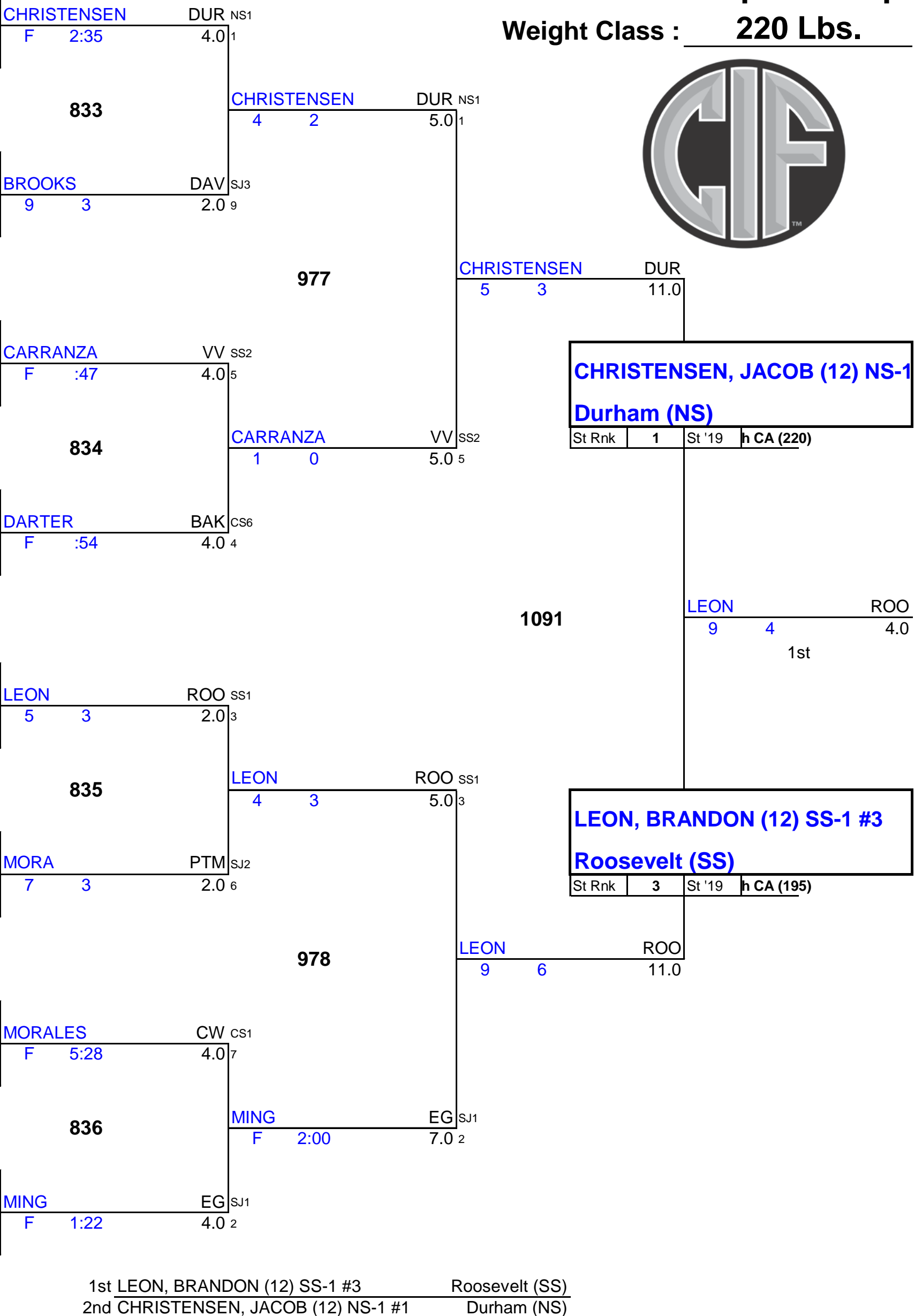
GARCIA	SEL	7th	TINKER	NVW	5th
1072	GIANGREGOF	CLV	1071	HARKEY	DH
GIANGREGOF	CLV	3 2	1.0	HARKEY	DH
				3 2	2.0

# 2020 CIF State Championship

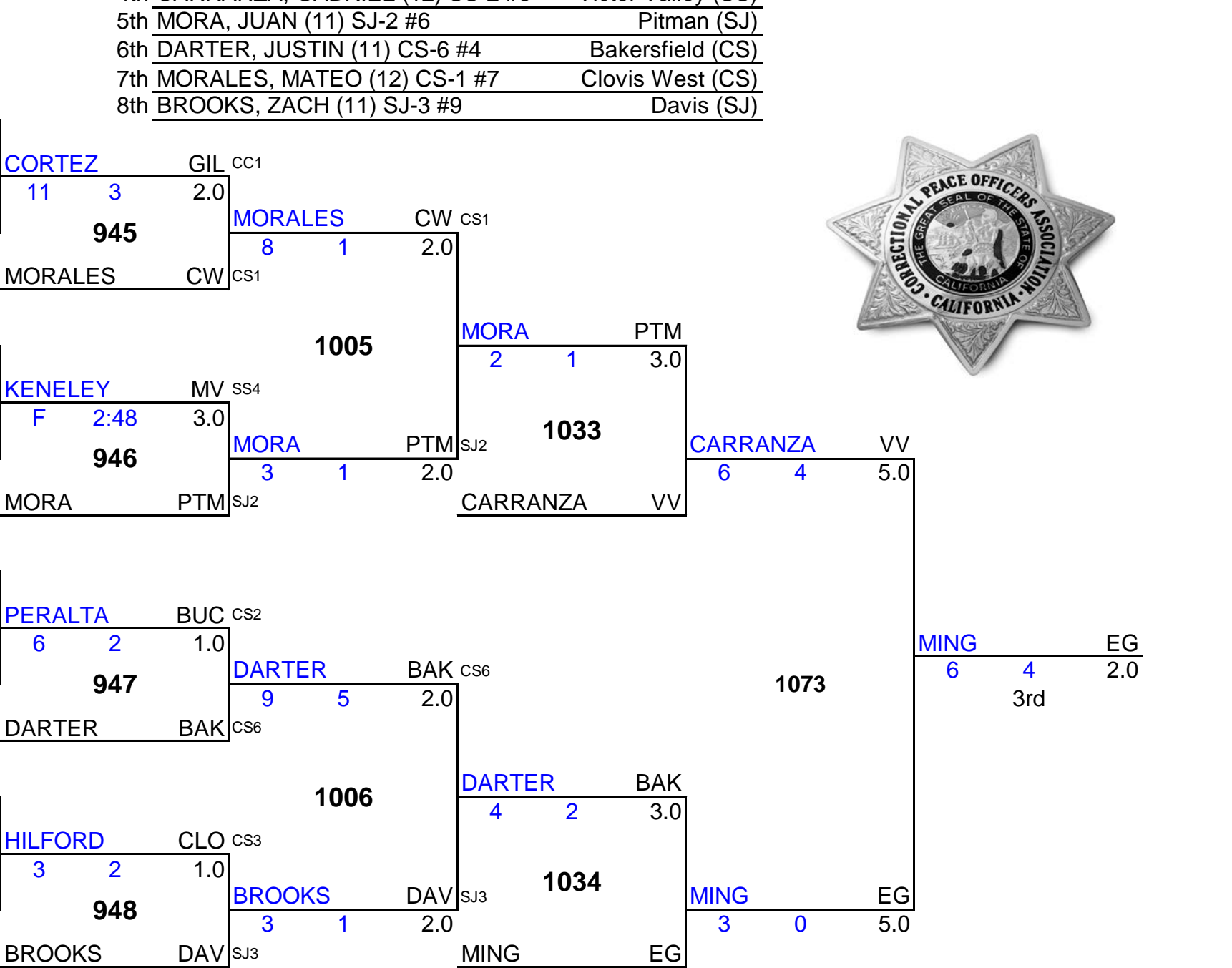
Weight Class : **220 Lbs.**



FEE, MATHEW (12) SS-5 #16 Fountain Valley (SS) <b>305</b>	FEE	FV	5.0
FERNANDEZ, NATE (11) CC-3 Monte Vista Christian (CC)	17 7		5.0
SMITH, DOMINIC (12) NC-2 Vintage (NC) <b>306</b>	CHRISTENSEN	DUR	4.0
PULIS, HAYDEN (12) CS-5 Hanford (CS) <b>97</b>	CHRISTENSEN	DUR	4.0
CHRISTENSEN, JACOB (12) NS-1 #1 Durham (NS)	F 2:13		4.0
PERALTA, JALEN (11) CS-2 #8 Buchanan (CS) <b>307</b>	KENELEY	MV	6.0
KENELEY, LANCE (12) SS-4 Mission Viejo (SS)	F :57		6.0
GEFFROY, CHARLES (12) SD-1 Poway (SD) <b>308</b>	BROOKS	DAV	4.0
GARONE, TYLER (11) CS-T Central (CS) <b>98</b>	BROOKS	DAV	4.0
BROOKS, ZACH (11) SJ-3 #9 Davis (SJ)	F 2:11		4.0
CARRANZA, GABRIEL (12) SS-2 #5 Victor Valley (SS) <b>309</b>	CARRANZA	VV	6.0
HATCH, CARSON (12) SJ-6 Hughson (SJ)	F :50		6.0
WEIMER, HUNTER (11) CS-4 Monache (CS) <b>310</b>	WEIMER	MON	4.0
MOORE, BRADLEY (11) NC-1 De La Salle (NC) <b>99</b>	ESTRADA	NVW	4.0
ESTRADA, RIGO (12) SS-6 #12 Northview (SS)	7 4		2.0
CORTEZ, JOSH (10) CC-1 #13 Gilroy (CC) <b>311</b>	CORTEZ	GIL	4.0
ORTIZ, RYAN (12) SS-7 Villa Park (SS)	3 1		4.0
REYES, FERNIE (12) SD-3 San Pasqual (SD) <b>312</b>	DARTER	BAK	4.0
HERNANDEZ-PEREZ, OUT (10) OS-1 Oakland Tech (OS) <b>100</b>	DARTER	BAK	4.0
DARTER, JUSTIN (11) CS-6 #4 Bakersfield (CS)	DEF		4.0
HILFORD, JORDAN (11) CS-3 #14 Clovis (CS) <b>313</b>	HILFORD	CLO	4.0
RUSSELL, RAYMOND (12) CC-2 Riordan (CC)	4 2		4.0
DURAN, NOAH (10) CS-9 Clovis North (CS) <b>314</b>	LEON	ROO	4.0
KIM, JOSEPH (12) SD-2 Canyon Crest (SD) <b>101</b>	LEON	ROO	4.0
LEON, BRANDON (12) SS-1 #3 Roosevelt (SS)	F 3:07		4.0
HAYWARD, ERIC (12) SJ-5 #11 Vacaville (SJ) <b>315</b>	SHEPHERD	FRO	4.0
SHEPHERD, TY (12) CS-7 Frontier (CS)	4 3		4.0
HERRERA, FRANK (12) LA-1 Huntington Park (LA) <b>316</b>	MORA	PTM	4.0
KO, THOMAS (12) SS-8 Yorba Linda (SS) <b>102</b>	MORA	PTM	4.0
MORA, JUAN (11) SJ-2 #6 Pitman (SJ)	F 2:58		4.0
MORALES, MATEO (12) CS-1 #7 Clovis West (CS) <b>317</b>	MORALES	CW	5.5
YOCUM, JOSHUA (12) SS-9 Temecula Valley (SS)	TF 18-2		5.5
WILLIAMS, XAVIER (12) NC-3 Livermore (NC) <b>318</b>	KOVALSKIY	FOL	4.0
CRAWFORD, CODY (12) NS-2 Anderson (NS) <b>103</b>	KOVALSKIY	FOL	4.0
KOVALSKIY, MATT (11) SJ-4 #10 Folsom (SJ)	DEF		4.0
FRANCO, EMILIO (11) SS-3 #15 Corona Del Mar (SS) <b>319</b>	FRANCO	CDM	6.0
PACHON, DAVID (11) SF-1 Lowell (SF)	F 1:14		6.0
NGUYEN, MARCUS (12) SD-4 Rancho Bernardo (SD) <b>320</b>	MING	EG	4.0
MEDRANO, JACOB (12) CS-8 St. Joseph'S (CS) <b>104</b>	MING	EG	4.0
MING, PETER (12) SJ-1 #2 Elk Grove (SJ)	F 4:22		4.0



PULIS HAN	HAN	PULIS	HAN	22 15	1.0	DURAN	CN	3.0
RUSSELL RIO	RIO	DURAN	CN	F 1:57		CORTEZ	GIL	3.0
GARONE CEN	CEN	CORTEZ	GIL	F 1:56				3.0
HAYWARD VAC	VAC	HAYWARD	VAC	3 2	1.0	HERRERA	HP	1.0
MOORE DLS	DLS	HERRERA	HP	9 3	1.0	HERRERA	HP	1.0
YOCUM TV	TV	WEIMER	MON	5 1	1.0			1.0
HERNANDEZ-PER OT	OT	MOORE	DLS	770				
PACHON LOW	LOW	WILLIAMS	LIV	7 4	1.0	KENELEY	MV	3.0
KIM CCR	CCR	KENELEY	MV	F 4:18				3.0
FERNANDEZ MVC	MVC	PACHON	LOW	771				
KO YL	YL	DEF	RBE	F 3:42	3.0	FEE	FV	3.0
PERALTA BUC	BUC	NGUYEN	RBE	F 2:08	3.0			3.0
CRAWFORD AND	AND	KIM	CCR	772				
HATCH HUG	HUG	SMITH	VIN	F 2:37	3.0	FRANCO	CDM	3.0
MEDRANO SJO	SJO	FRANCO	CDM	F 2:11	3.0			3.0
ORTIZ VP	VP	PERALTA	BUC	773				
ORTIZ VP	VP	PERALTA	BUC	F :32	3.0	PERALTA	BUC	3.0
		GEFFROY	POW	F :50	3.0	PERALTA	BUC	3.0
		KOVALSKIY	FOL	11 4	1.0			1.0
		HATCH	HUG	774				
		ESTRADA	NVW	F :56	3.0	SHEPHERD	FRO	1.0
		SHEPHERD	FRO	7 5	1.0			1.0
		ORTIZ	VP	775				
		DEF	SP	F 4:16	3.0	HILFORD	CLO	2.0
		HILFORD	CLO	11 1	2.0			2.0
				776				



MORALES CW	7th	MORA PTM	5th
1075	MORALES CW	1074	MORA PTM
BROOKS DAV	7 2	1.0	DARTER BAK 3 2 2.0



# 2020 CIF State Championship

Weight Class : **285 Lbs.**



HILL, JOSIAH (12) CS-1 #1 Bakersfield (CS) <b>321</b>	HILL	BAK	
HORNER, WOLFGANG (10) SD-2 Imperial (SD)	F 1:22	6.0	
SALOM, DAVIS (12) CC-3 Mitty (CC) <b>322</b>	HOUSTON	HAN	
RAMOS, NATHAN (12) SS-7 Norwalk (SS) <b>105</b>	HOUSTON	HAN	F 3:02 4.0
HOUSTON, TRAVONE (12) CS-5 #16 Hanford (CS)	CAMPBELL, KADE (11) CS-3 #8 Buchanan (CS) <b>323</b>	CAMPBELL	BUCHANAN
	HUNTER, CALEB (11) NC-3	8	1 4.0
	Freedom (NC)		<b>554</b>
PRADO, ARISTEO (11) SJ-6 Golden Valley (SJ) <b>106</b>	BAILEY, DILLON (11) NS-1 Corning (NS) <b>324</b>	OJEDA	SJ
OJEDA, ARTURO (12) SS-2 #9 San Jacinto (SS)	OJEDA	SJ	F 1:44 4.0
	TAKAFUA, TJ (10) CC-2 #12 Fremont (CC) <b>325</b>	TAKAFUA	FR-CC
	AVILA, TAVEN (12) CS-8	F 3:59	6.0
	Monache (CS)		<b>555</b>
VALENCIA, DYLAN (11) SS-5 Aquinas (SS) <b>107</b>	TOLEDO, AMIN (11) LA-1 Canoga Park (LA) <b>326</b>	COOK	LN-L
COOK, LUCAS (12) SJ-2 #5 Lincoln-L (SJ)	COOK	LN-L	F 3:50 4.0
	FARIS, JACK (12) NC-1 #13 Casa Grande (NC) <b>327</b>	ALANIZ	CW
	ALANIZ, JOE (11) CS-6	4	3 4.0
	Clovis West (CS)		<b>556</b>
FORAKER, CADE (12) CS-T Clovis North (CS) <b>108</b>	ANDRADE, JARED (10) SD-3 Vista (SD) <b>328</b>	LYLES	MAY
LYLES, MALACHI (12) SS-1 #4 Mayfair (SS)	LYLES	MAY	F 1:27 4.0
	ROE, BEN (12) NC-2 #14 De La Salle (NC) <b>329</b>	ROE	DLS
	FLORES, ALLAN (12) SS-9	7	3 4.0
	Mission Viejo (SS)		<b>557</b>
LONGSINE, ZION (12) SS-4 Bonita (SS) <b>109</b>	WATSON, ISA (11) CS-7 Central (CS) <b>330</b>	ISLAND	VAC
ISLAND, CHRIS (12) SJ-1 #3 Vacaville (SJ)	ISLAND	VAC	F 1:18 4.0
	MARTIN, KARSON (12) SS-3 #11 Chaparral (SS) <b>331</b>	MARTIN	CHP
	OSTLY-AMEPEROSA, OUT (11) SJ-5 Lincoln-S (SJ)	DEF	6.0
	WIDENER, JON (12) NS-2 Live Oak (NS) <b>332</b>	JOHNSON	POW
ANDREWS, JAKE (11) CS-9 Frontier (CS) <b>110</b>	JOHNSON	POW	F 3:48 4.0
JOHNSON, ANDREW (12) SD-1 #6 Poway (SD)	JOHNSON	POW	F 1:25 4.0
	SCHMIDTKE, JONAH (12) CS-4 #10 Clovis East (CS) <b>333</b>	SCHMIDTKE	CE
	HERNANDEZ, CRISTO (10) OS-1	F :14	6.0
	Oakland Tech (OS)		<b>559</b>
FUENTES, EDUARDO (11) SS-6 Alemany (SS) <b>111</b>	ARGUMEDO, ANDREAS (11) SJ-3 Monterey Trail (SJ) <b>334</b>	MARTINEZ	DIN
MARTINEZ, JAVIER (10) CS-2 #7 Dinuba (CS)	MARTINEZ	DIN	2 1 2.0
	VILLARREAL, NICHOLAS (12) CC-1 #2 Gilroy (CC) <b>335</b>	VILLARREAL	GIL
	VALDEZ, OUT (12) SD-4	DEF	6.0
	Monte Vista (SD)		<b>560</b>
SIDES, ATTILA (12) SJ-4 Johansen (SJ) <b>112</b>	ALANIS COLORES, JOSEPH (12) SF-1 Washington (SF) <b>336</b>	SIDES	JOH
PERLA, RICKY (12) SS-8 #15 Los Osos (SS)	SIDES	JOH	F 1:02 4.0
			F 5:53 4.0

HILL	BAK CS1	9	5	2.0	1	
837	HILL	BAK CS1	F 5:16	7.0	1	
OJEDA	SJ SS2	4	1	2.0	9	
979	HILL	BAK	10	0	12.0	
838	COOK	LN-L SJ2	3	2	2.0	5
838	LYLES	MAY SS1	F 5:43	7.0	4	
838	LYLES	MAY SS1	3	0	2.0	4
285 Lbs.						
1092	HILL	BAK	F 2:38	6.0		1st
839	ISLAND	VAC SJ1	F 5:25	4.0	3	
839	ISLAND	VAC SJ1	3	1	5.0	3
839	JOHNSON	POW SD1	F 1:51	4.0	6	
980	VILLARREAL	GIL	4	2	11.0	
840	SCHMIDTKE	CE CS4	F 3:55	4.0	10	
840	VILLARREAL	GIL CC1	F :59	7.0	2	
840	VILLARREAL	GIL CC1	F 2:40	4.0	2	
1st HILL, JOSIAH (12) CS-1 #1	Bakersfield (CS)					
2nd VILLARREAL, NICHOLAS (12) CC-1 #2	Gilroy (CC)					
3rd LYLES, MALACHI (12) SS-1 #4	Mayfair (SS)					
4th COOK, LUCAS (12) SJ-2 #5	Lincoln-L (SJ)					
5th ISLAND, CHRIS (12) SJ-1 #3	Vacaville (SJ)					
6th SCHMIDTKE, JONAH (12) CS-4 #10	Clovis East (CS)					
7th OJEDA, ARTURO (12) SS-2 #9	San Jacinto (SS)					
8th CAMPBELL, KADE (11) CS-3 #8	Buchanan (CS)					
441	FLORES	MV	F :25	3.0		
441	WATSON	CEN	F 4:02	3.0		
665	PRADO	GV-SJ	3	0	1.0	
442	PRADO	GV-SJ	777			
442	WIDENER	LO	F 3:27	3.0		
442	TAKAFUA	FR-CC	2	1	1.0	
443	VALENCIA	AQU	778			
443	VALENCIA	AQU	F :18	3.0		
443	ARGUMEDO	MT	F 2:24	3.0		
443	CAMPBELL	BUCHANAN	5	2	1.0	
444	FORAKER	CN	779			
444	FORAKER	CN	894			
444	ALANIS COLORES	WA-SF	DEF	3.0		
444	HOUSTON	HAN	F :35	3.0		
445	LONGSINE	BON	780			
445	LONGSINE	BON	DEF	3.0		
445	SALOM	MIT	7	5	1.0	
445	SALOM	MIT	F 2:11	3.0		
446	ANDREWS	FRO	781			
446	ANDREWS	FRO	895			
446	BAILEY	COR	F 3:57	3.0		
446	MARTINEZ	DIN	3	2	1.0	
447	AVILA	MON	782			
447	AVILA	MON	F 2:46	3.0		
447	TOLEDO	CPK	F 4:00	3.0		
447	MARTIN	CHP	F :33	3.0		
448	PERLA	LOS	783			
448	PERLA	LOS	F 3:32	3.0		
448	ANDRADE	VIS	F :49	3.0		
448	ROE	DLS	F 1:30	3.0		
784						
949	WATSON	CEN CS7	F 4:04	3.0		
949	SCHMIDTKE	CE CS4	F 4:43	4.0		
1007	SCHMIDTKE	CE	5	2	3.0	
950	CAMPBELL	BUCHANAN CS3	7	2	1.0	
950	CAMPBELL	BUCHANAN CS3	3	1	2.0	
950	JOHNSON	POW SD1	LYLES	MAY		
951	MARTINEZ	DIN CS2	4	2	1.0	
951	COOK	LN-L SJ2	F 3:37	4.0		
1008	COOK	LN-L	COOK	LN-L		
1008	COOK	LN-L	3.0			
952	ROE	DLS NC2	F :54	3.0		
952	OJEDA	SJ SS2	6	1	2.0	
1036	COOK	LN-L	7	5	5.0	
1036	ISLAND	VAC				
1076	LYLES	MAY	5	3	2.0	
1076	LYLES	MAY	3rd			
1078	CAMPBELL	BUCHANAN	7th			
1078	OJEDA	SJ	F 1:40	3.0		
1077	SCHMIDTKE	CE	5th			
1077	ISLAND	VAC	4	3	2.0	

<b>HILL, JOSIAH (12) CS-1 #1</b>			
<b>Bakersfield (CS)</b>			
St Rnk	1	St '19	h CA (285)

<b>VILLARREAL, NICHOLAS (12) CC-1 #2</b>			
<b>Gilroy (CC)</b>			
St Rnk	2	St '19	d CA (285)

